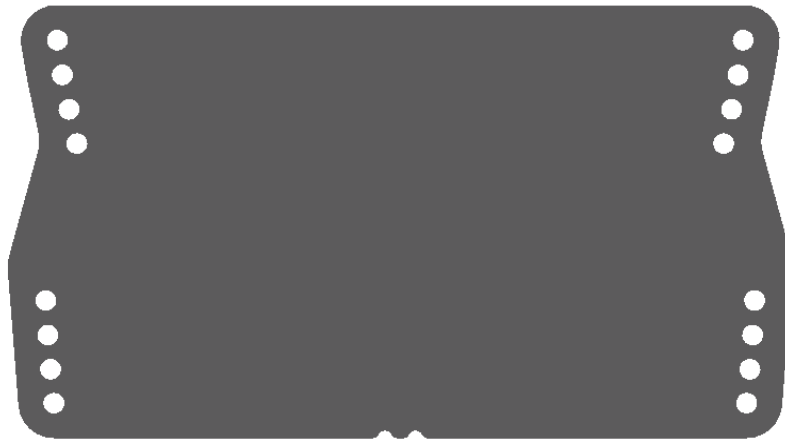





S12 – LS18 Mounting Plate (5° to 10°)




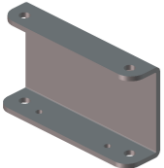


Contents:

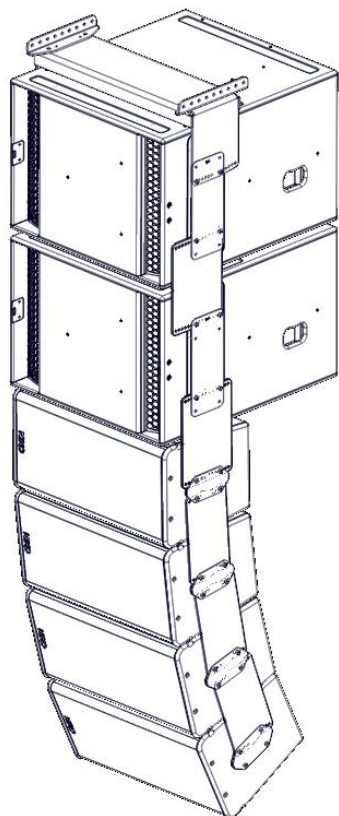
 <p>x2</p>	 <p>x4</p>	<p>x8 VXTCHCD820 (D8x20 M6)</p> 
---	---	---

Weight: 1 Kg (each)

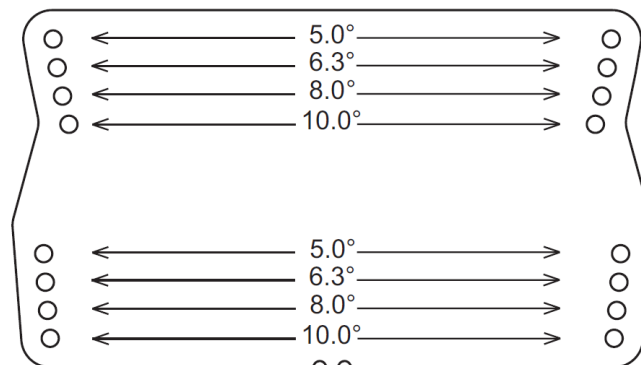
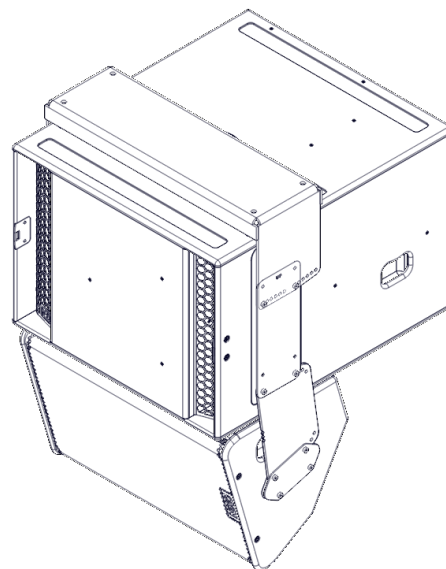
Other Accessories:

GPI-ANPL1	GPI-ANPL3	GPI-BUMPER	LSI-CPLA18
			
VNI-ABRK	VNI-LBRK		
			

Used with LS18 - S12



Used with LS18 - PS15R2



FRONT