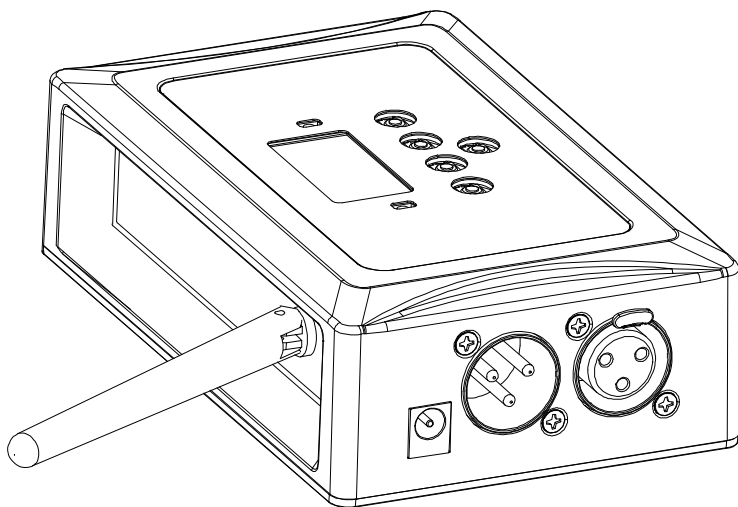


TRIBE[®]

WDBOX

WIRELESS TRANSCEIVER



USER MANUAL
MANUALE UTENTE

All rights reserved by Music & Lights S.r.l. No part of this instruction manual may be reproduced in any form or by any means for any commercial use.

In order to improve the quality of products, Music&Lights S.r.l. reserves the right to modify the characteristics stated in this instruction manual at any time and without prior notice.
All revisions and updates are available in the 'manuals' section on site www.musiclights.it

TABLE OF CONTENTS**Safety**

General instructions	2
Warnings and installation precautions	2

1 Introduction

1.1 Description	3
1.2 Technical specifications	3
1.3 Operating elements and connections	4

2 Installation

2.1 Mounting	5
--------------------	---

3 Functions and settings

3.1 Operation	6
3.2 Basic	6
3.3 Menu structure	7
3.4 Configuration	7
3.5 Operation transmitter	8
3.6 Operation receiver	8
3.7 Operation transmit auto/receive auto	8
3.8 Other configurations	9
3.9 Connection of the DMX line	10
3.10 Construction of the DMX termination	10

4 Maintenance

4.1 Maintenance and cleaning the unit	11
---	----

Packing content

- WDBOX
 - External 9V DC 1000mA adapter
 - User manual
-




WARNING! Before carrying out any operations with the unit, carefully read this instruction manual and keep it with care for future reference. It contains important information about the installation, usage and maintenance of the unit.



SAFETY

General instruction

- The products referred to in this manual conform to the European Community Directives and are therefore marked with **CE**.
- The unit is supplied with hazardous voltage. Leave servicing to skilled personnel only. Never make any modifications on the unit not described in this instruction manual, otherwise you will risk an electric shock.
- This device falls under PROTECTION CLASS III. It has to be always operated with an appropriate transformer. From time to time check the device, the power cord and transformer. Make sure that the transformer is the correct type, the one stated on the rear panel.
- The connection to the main network of electric distribution must be carried out by a qualified electrical installer. Check that the main frequency and voltage correspond to those for which the unit is designed as given on the electrical data label.
- This unit is not for home use, only professional applications.
- Never use the fixture under the following conditions:
 - in places subject to excessive humidity
 - in places subject to vibrations or bumps;
 - in places with a temperature of over 40°C.
- Make certain that no inflammable liquids, water or metal objects enter the fixture.
- Do not dismantle or modify the fixture.
- All work must always be carried out by qualified technical personnel. Contact the nearest sales point for an inspection or contact the manufacturer directly.
- If the unit is to be put out of operation definitively, take it to a local recycling  plant for a disposal which is not harmful to the environment.

Warnings and installation precautions

- If this device will be operated in any way different to the one described in this manual, it may suffer damage and the guarantee becomes void. Furthermore, any other operation may lead to dangers like short circuit, burns, electric shock, etc.
- Before starting any maintenance work or cleaning the device, cut off power from the main supply.
- Always additionally secure the device with the safety rope. When carrying out any work, always comply scrupulously with all the regulations (particularly regarding safety) currently in force in the country in which the fixture's being used.
- This product is for indoor use only.
- When selecting installation location, take into consideration access and routine maintenance and programming purposes.
- Install the fixture in a well ventilated place.
- Keep any inflammable material at a safe distance from the fixture.
- During periods of non-use completely disconnect the product from power by unplugging it.
- Do not feed the product with a dimmer pack.
- This product was designed and built strictly for the use indicated in this documentation. Any other use, not expressly indicated here, could compromise the good condition/operation of the product and/or be a source of danger.
- We decline any liability deriving from improper use of the product.

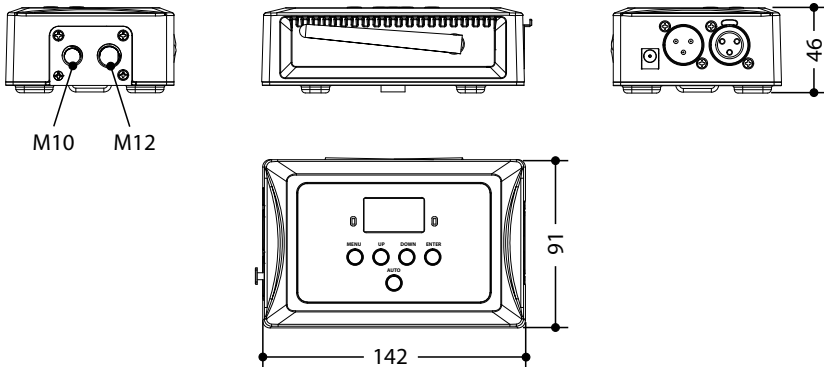
- 1 - INTRODUCTION

1.1 DESCRIPTION

WDBOX is a compact, easy-to-use wireless transceiver designed to create wireless DMX systems with single universe. This technology allows to wirelessly control each DMX device, using two WDBOX units in transmitter-receiver mode, getting a cleanly installation, removing long cables. It comes with an "auto" function which automatically finds the best frequency and syncs the units easily. Thanks to the built-in M10 and M12 threaded holes it can be mounted in suspension on truss. WDBOX is also compatible with the receiver WIFUIUSB that allows to control compatible devices.

Features

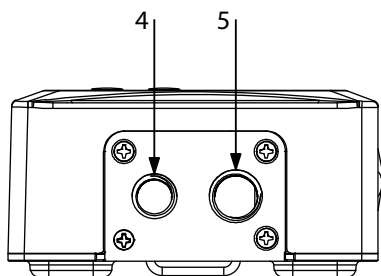
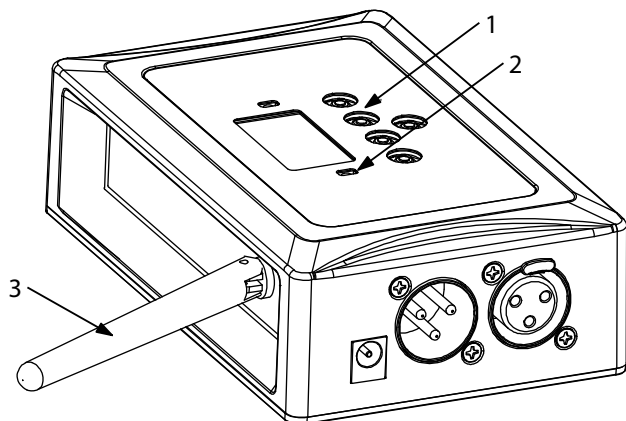
- Transmitter and receiver in a single compact unit
- Manual or automatic channel operating options
- 16 channels dedicated to the manual mode
- Simple user interface with black OLED display and 5 buttons
- DMX512 protocol support
- DMX IN/OUT Connectors: 3-pin XLR
- Operating Frequency: 2,4 GHz
- Max Unobstructed Distance: 200 m
- Power supply (included): Input 100-240V 50/60Hz, Output DC 9V, 1000 mA
- Weight: 0,6 kg
- Dimensions (WxHxD): 102x82x41 mm



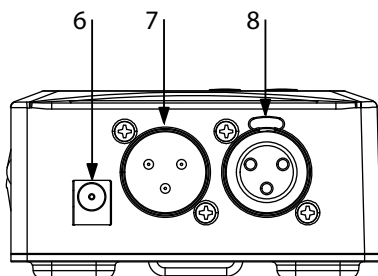
Technical drawing

Fig.1

1.3 OPERATING ELEMENTS AND CONNECTIONS



Side 1



Side 2

1. CONTROL PANEL with black OLED display and 5 button used to access the control panel functions.
2. LED indicator
 - RED: power status
 - GREEN (flashing): operation
3. ANTENNA

4. MOUNTING HOLES M10
5. MOUNTING HOLES M12
6. POWER IN: DC 9V
7. DMX IN (3-pole XLR):
 - 1 = ground, 2 = DMX -, 3 = DMX +
8. DMX OUT (3-pole XLR):
 - 1 = ground, 2 = DMX -, 3 = DMX +

Fig.2

- 2 - INSTALLATION

2.1 MOUNTING

Before deciding on a location for this product, always make sure that it will be easy to access the unit for maintenance and programming purposes. Install the fixture in a well ventilated place.

The WDBOX may be set up on a solid and even surface. By means of the mounting holes on the side panel (fig.3) the unit can also be mounted to a truss. You should use a mounting clamp of appropriate weight capacity. The mounting place must be of sufficient stability and be able to support a weight of 10 times of the unit's weight. When carrying out any installation, always comply scrupulously with all the regulations (particularly regarding safety) currently in force in the country in which the fixture's being used.

Mount the product securely to a rigging point and always use a safety cable.

The WDBOX also has 4 teardrop holes located on the back for easy wall mounting.

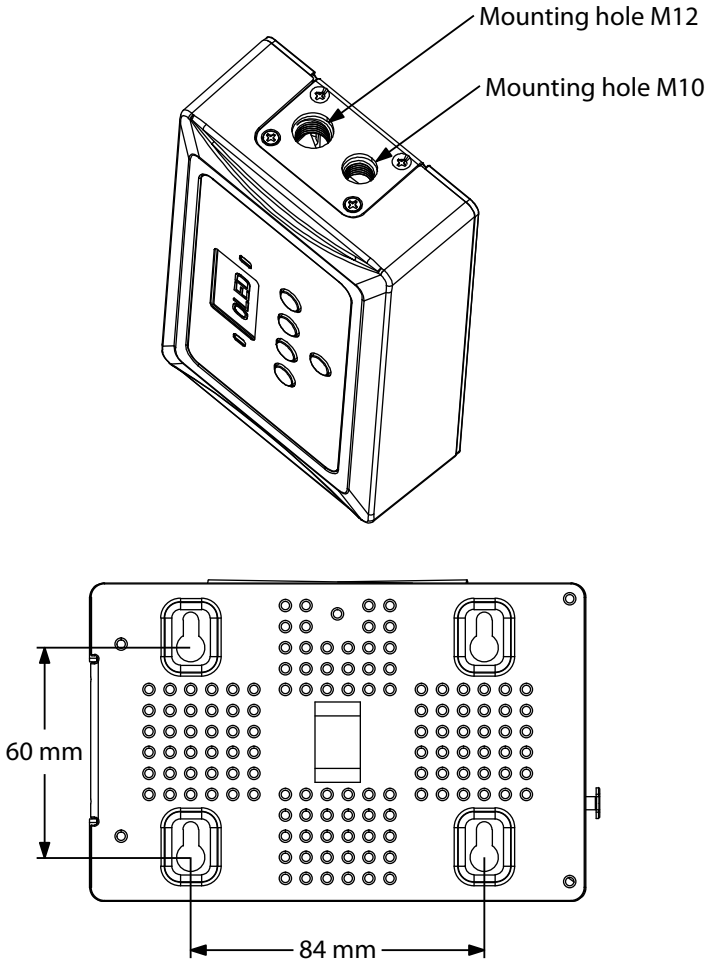


Fig.3

- 3 - FUNCTIONS AND SETTINGS

3.1 OPERATION

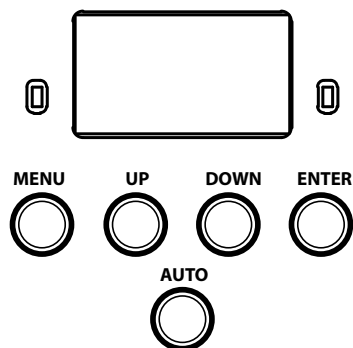
This fixture runs on 9V DC, 1000 mA. Before powering on the unit, make sure the power supply voltage to which you are connecting it is correct. Connect the connection cable of the power unit with the DC in socket. Plug the power unit into your outlet. The WDBOX is ready for operation. To switch off, disconnect the mains plug from the socket.

ATTENTION - Before applying power to a fixture, check that the source voltage matches the fixture's requirement. This information is located on the power adaptor that is included with your unit.

This product has an auto-ranging external power supply and it can work with an input voltage of 100 to 240 VAC, 50/60 Hz.

3.2 BASIC

The WDBOX has a black OLED display and 5 buttons used to access the control panel functions and manage them (fig.4).



MENU	UP	DOWN	ENTER	AUTO
Press to find an operation mode or to back out of the current menu option	Increases the value displayed or passes to the previous item in a menu	Decreases the value displayed or passes to the next item in the menu	Press to activate a menu option or a selected value	Detects the signal for synchronization of products

Fig.4 - Functions of the buttons

3.3 MENU STRUCTURE

MAIN FUNCTION	PROGRAMMING STEPS	DESCRIPTION
Settings	Transmit Manual ⇨ CH01 - CH16	Allows selection of a specific channel for transmitting signal
	Receive Manual ⇨ CH01 - CH16	Allows selection of a specific channel for receiving signal
	Transmit Auto	Triggers the hub to auto-select a channel for transmitting signal
	Receive Auto	Triggers the hub to auto-select a channel for receiving signal

3.4 CONFIGURATION

The WDBOX can be used two ways:

- It can be connected to any DMX controller and transmit to compatible lights.
- It can be connected to any DMX lights and receive from compatible controller (fig.5).

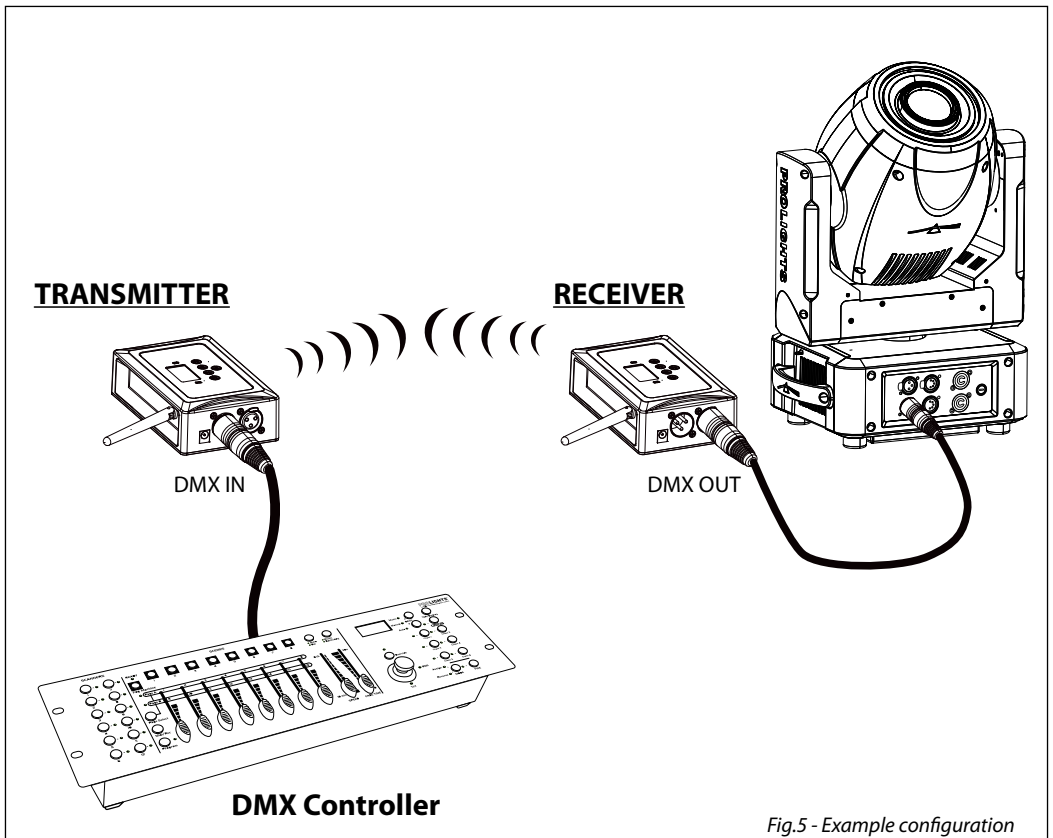


Fig.5 - Example configuration

To set this product in DMX mode:

1. Connect this product to a suitable power outlet.
2. Connect a DMX cable from the DMX output of the DMX controller to the DMX input socket of this product.

3.5 OPERATION TRANSMITTER

To connect the WDBOX to a DMX controller and configure it to transmit to compatible lights, do the following:

- Connect the unit to the controller using a DMX cable.
- Connect the hub to power.

If the display shows **Transmit Manual** and **CHXX**, where **XX** is a value between **01** and **16**, the unit is already configured for manual transmission.

- Press the MENU button to access the **Settings** menu and then press the ENTER button to confirm.
- Use UP/DOWN button to cycle through the highlighted options until the display shows **Transmit Manual**.
- Press the ENTER button and the display shows **Transmit Manual** with **CHXX** highlighted, where **XX** is a value between **01** and **16**.
- Use UP/DOWN button to cycle through the highlighted channel options and select the channel to use for transmission.
- Press the ENTER button and the display shows **Transmit Manual** and **CHXX**, where **XX** is the channel selected. The WDBOX is now configured for manual signal transmission.

NOTE - All the lights must be set to the channel shown on the unit's display.

3.6 OPERATION RECEIVER

To connect the WDBOX to any DMX lights and configure it to receive signals from a compatible hub, do the following:

- Connect the hub to the lights using a DMX cable.
- Connect the hub to power.

If the display shows **Receive Manual** and **CHXX**, where **XX** is a value between **01** and **16**, the unit is already configured for manual reception.

- Press the MENU button to access the **Settings** menu and then press the ENTER button to confirm.
- Use UP/DOWN button to cycle through the highlighted options until the display shows **Receive Manual**.
- Press the ENTER button and the display shows **Receive Manual** with **CHXX** highlighted, where **XX** is a value between **01** and **16**.
- Use UP/DOWN button to cycle through the highlighted channel options and select the channel to use for reception.
- Press the ENTER button and the display shows **Receive Manual** and **CHXX**, where **XX** is the channel selected. The WDBOX is now configured for manual signal reception.

NOTE - The controller must be set to the channel shown on the unit's display.

3.7 OPERATION TRANSMIT AUTO/RECEIVE AUTO

To automatically select the channel for communication data refer to the following steps:

- With reference to the preceding paragraphs make connections between units.
- Press the MENU button to access the **Settings** menu. Press the ENTER button to confirm.
- Use UP/DOWN button to cycle through the highlighted options until the display shows **Transmit Auto/Receive Auto** respectively to transmit / receive automatically.
- Press the button ENTER save the setting.

NOTE - Selecting **Transmit Auto/Receive Auto** automatically detects a transmission/ receiving signal when used in conjunction with **Auto sync**.

3.8 OTHER CONFIGURATIONS

Other configuration mode are shown in figure 6 below.

NOTE

- You can sync an unlimited amount of Receivers to one Transmitter.
- To ensure strong signals, the units should be elevated or higher off the ground and remain in an unobstructed line of sight of each other.
- For the best results, add individual receivers using Manual mode to ensure you can select the same channel for the additional products.

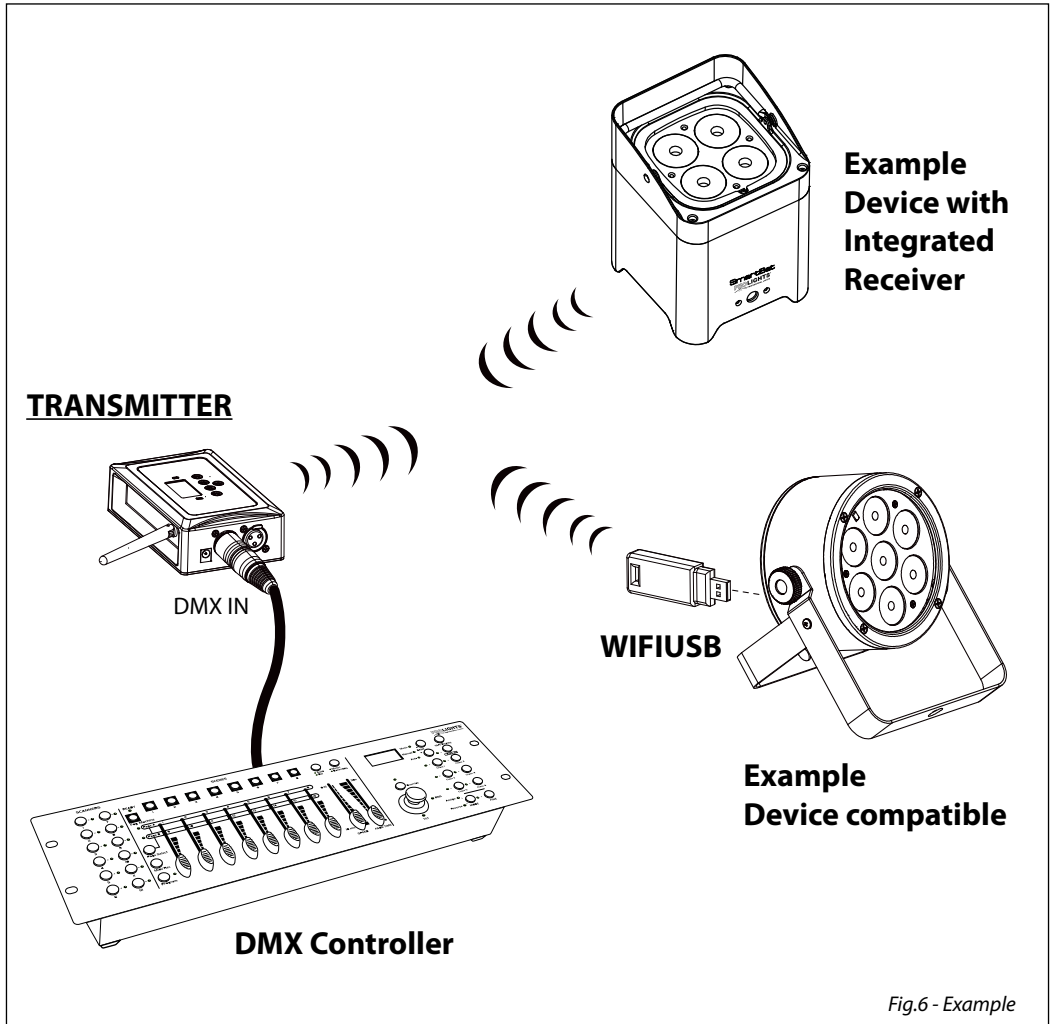
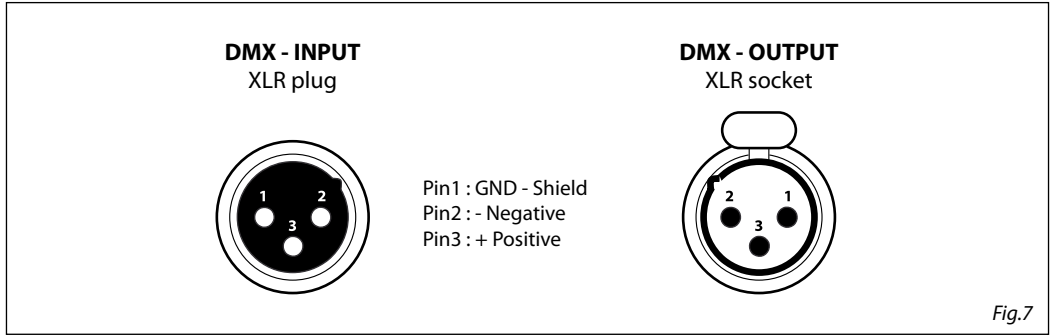


Fig.6 - Example

3.9 CONNECTION OF THE DMX LINE

DMX connection employs standard XLR connectors. Use shielded pair-twisted cables with 120Ω impedance and low capacity.

The following diagram shows the connection mode:



ATTENTION

The screened parts of the cable (sleeve) must never be connected to the system's earth, as this would cause faulty fixture and controller operation.

Over long runs can be necessary to insert a DMX level matching amplifier.

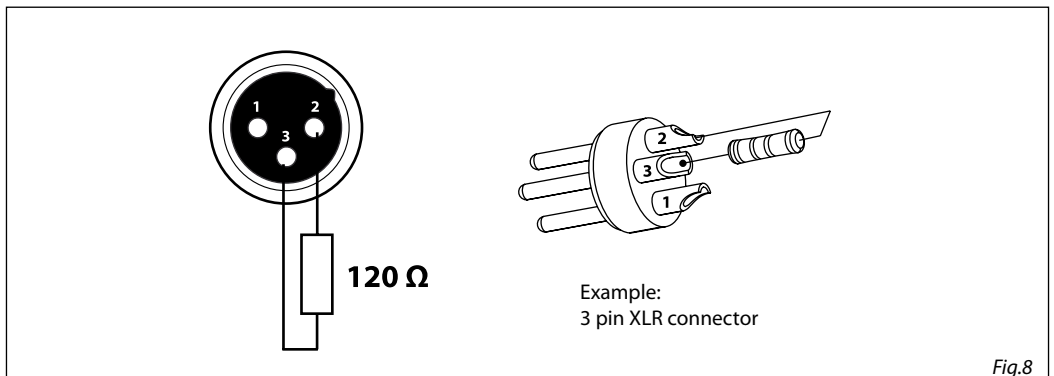
For those connections the use of balanced microphone cable is not recommended because it cannot transmit control DMX data reliably.

- Connect the controller DMX input to the DMX output of the first unit.
- Connect the DMX output to the DMX input of the following unit. Connect again the output to the input of the following unit until all the units are connected in chain.
- When the signal cable has to run longer distance is recommended to insert a DMX termination on the last unit.

3.10 CONSTRUCTION OF THE DMX TERMINATION

The termination avoids the risk of DMX 512 signals being reflected back along the cable when they reach the end of the line: under certain conditions and with certain cable lengths, this could cause them to cancel the original signals.

The termination is prepared by soldering a 120Ω 1/4 W resistor between pins 2 and 3 of the 5-pin male XLR connector, as shown in figure.



- 4 - MAINTENANCE

4.1 MAINTENANCE AND CLEANING THE UNIT

- Make sure the area below the installation place is free from unwanted persons during setup.
- All screws used for installing the device and any of its parts should be tightly fastened and should not be corroded.
- Housings, fixations and installation spots (ceiling, trusses, suspensions) should be totally free from any deformation.
- The main cables must be in impeccable condition and should be replaced immediately even when a small problem is detected.

Usage and environment are contributing factors in determining the cleaning frequency.

Cleaning the unit:

- Unplug the product.
- Clean all external surfaces with a mild solution of non-ammonia glass cleaner or isopropyl alcohol.
- Apply a solution directly to a soft, lint-free cotton cloth or a lens cleaning tissue.

NOTE - Do not open this product for cleaning or servicing.

Music & Lights S.r.l. si riserva ogni diritto di elaborazione in qualsiasi forma delle presenti istruzioni per l'uso.
La riproduzione - anche parziale - per propri scopi commerciali è vietata.

Al fine di migliorare la qualità dei prodotti, la Music&Lights S.r.l. si riserva la facoltà di modificare, in qualunque momento e senza preavviso, le specifiche menzionate nel presente manuale di istruzioni. Tutte le revisioni e gli aggiornamenti sono disponibili nella sezione 'Manuali' sul sito www.musiclights.it

INDICE	Sicurezza	
	Avvertenze generali	4
	Attenzioni e precauzioni per l'installazione	4
	1 Introduzione	
	1.1 Descrizione	5
	1.2 Specifiche tecniche	5
	1.3 Elementi di comando e di collegamento	6
	2 Installazione	
	2.1 Montaggio	7
	3 Funzioni e impostazioni	
	3.1 Funzionamento	8
	3.2 Impostazione base	8
	3.3 Struttura menu	9
	3.4 Configurazione	9
	3.5 Modalità trasmettitore	10
	3.6 Modalità ricevitore	10
	3.7 Modalità automatica trasmettitore/ricevitore	10
	3.8 Altre configurazioni	10
	3.9 Collegamenti della linea DMX	12
	3.10 Costruzione del terminatore DMX	12
	4 Manutenzione	
	4.1 Manutenzione e pulizia del prodotto	13

Contenuto dell'imballo:

- WDBOX
 - Alimentatore 9V DC 1000mA
 - Manuale utente
-




ATTENZIONE! Prima di effettuare qualsiasi operazione con l'unità, leggere con attenzione questo manuale e conservarlo accuratamente per riferimenti futuri. Contiene informazioni importanti riguardo l'installazione, l'uso e la manutenzione dell'unità.



SICUREZZA

Avvertenze generali

- I prodotti a cui questo manuale si riferisce sono conformi alle Direttive della Comunità Europea e pertanto recano la sigla CE.
- Il dispositivo funziona con pericolosa tensione di rete. Non intervenire mai al suo interno al di fuori delle operazioni descritte nel presente manuale; esiste il pericolo di una scarica elettrica.
- Questo dispositivo appartiene alla Classe di protezione III, pertanto deve operare sempre con un appropriato trasformatore di tensione. Controllare periodicamente l'unità, il cavo di alimentazione ed il trasformatore. Assicurarsi che quest'ultimo sia della tipologia corretta, come indicato nel pannello posteriore del dispositivo.
- Le operazioni di collegamento alla rete di distribuzione dell'energia elettrica devono essere effettuate da un installatore elettrico qualificato. Verificare che frequenza e tensione della rete corrispondono alla frequenza ed alla tensione per cui l'unità è predisposta, indicate sulla targhetta dei dati elettrici.
- L'unità non per uso domestico, solo per uso professionale.
- Evitare di utilizzare l'unità:
 - in luoghi soggetti ad eccessiva umidità;
 - in luoghi soggetti a vibrazioni, o a possibili urti;
 - in luoghi a temperatura superiore ai 40°C.
- Evitare che nell'unità penetrino liquidi infiammabili, acqua o oggetti metallici.
- Non smontare e non apportare modifiche all'unità.
- Tutti gli interventi devono essere sempre e solo effettuati da personale tecnico qualificato. Rivolgersi al più vicino centro di assistenza tecnica autorizzato.
- Se si desidera eliminare il dispositivo definitivamente, consegnarlo  per lo smaltimento ad un'istituzione locale per il riciclaggio.

Attenzioni e precauzioni per l'installazione

- Se il dispositivo dovesse trovarsi ad operare in condizioni differenti da quelle descritte nel presente manuale, potrebbero verificarsi dei danni; in tal caso la garanzia verrebbe a decadere. Inoltre, ogni altra operazione potrebbe provocare cortocircuiti, incendi, scosse elettriche, rotture etc.
- Prima di iniziare qualsiasi operazione di manutenzione o pulizia sull'unità togliere la tensione dalla rete di alimentazione.
- Per l'installazione in sospensione è assolutamente necessario proteggere l'unità per mezzo di una fune di sicurezza. Nell'eseguire qualsiasi intervento attenersi scrupolosamente a tutte le normative (in materia di sicurezza) vigenti nel paese di utilizzo.
- Questo prodotto è solo per uso interno.
- Quando si sceglie il luogo di installazione considerare la possibilità di facile accesso all'unità per la manutenzione ordinaria e il settaggio.
- Installare l'unità in un luogo ben ventilato.
- Mantenere i materiali infiammabili ad una distanza di sicurezza dall'unità.
- Durante i periodi di non utilizzo scollegare completamente il prodotto dalla rete tramite staccando la spina.
- Non alimentare il prodotto con un dimmer pack.
- Questo prodotto è stato progettato e costruito per l'utilizzo indicato in questa documentazione. Qualsiasi altro utilizzo non espressamente indicato potrebbe pregiudicare la funzionalità del prodotto e/o rappresentare fonte di pericolo.
- Si declina ogni responsabilità derivata dall'uso improprio del prodotto.

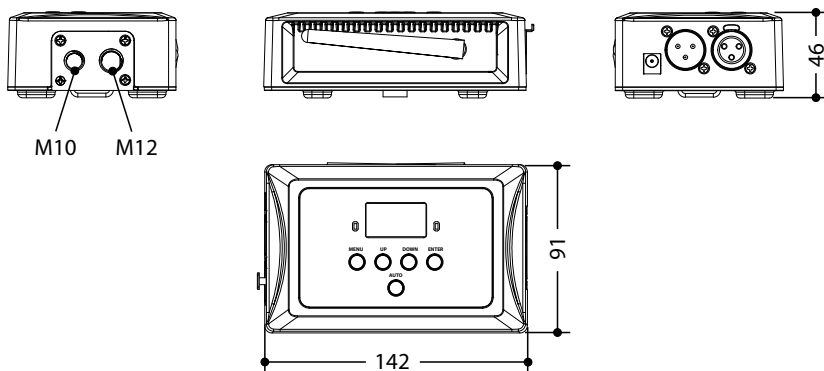
- 1 - INTRODUZIONE

1.1 DESCRIZIONE

WDBOX è un ricetrasmittitore wireless compatto, facile da usare, concepito per creare sistemi Wireless DMX con singolo universo. Questa tecnologia permette di controllare in modalità wireless ogni dispositivo DMX, utilizzando due unità WDBOX in modalità trasmettitore-ricevitore, ottenendo un'installazione pulita, eliminando scomodi e lunghi cavi. La funzione "auto" permette di trovare automaticamente la migliore frequenza sincronizzando facilmente tutte le unità. Grazie ai fori filettati M10 e M12 integrati nel case, può essere montato in sospensione su truss. WDBOX è inoltre compatibile con il ricetrasmittitore WFIUSB grazie al quale è possibile controllare dispositivi ad esso compatibili.

1.2 SPECIFICHE TECNICHE

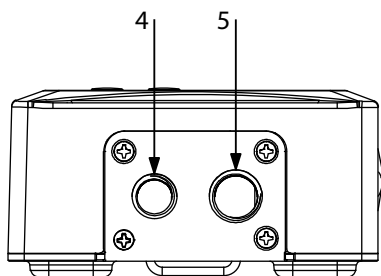
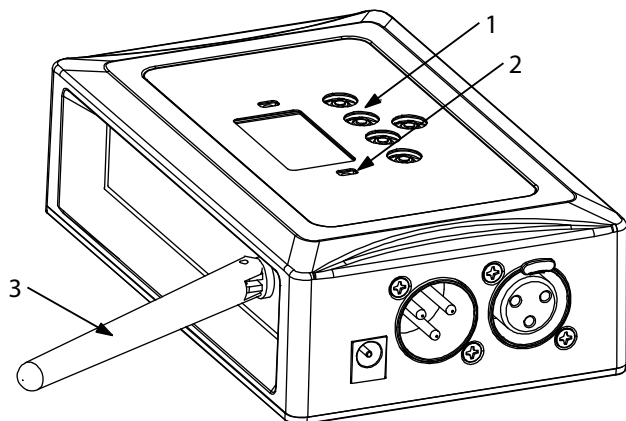
- Trasmettitore e ricevitore in un unico e compatto dispositivo
- Opzioni di funzionamento manuale/automatica dei canali
- 16 canali dedicati per la modalità manuale
- Semplice interfaccia utente con display black OLED e 5 pulsanti
- Supporto protocollo DMX512
- Connettori DMX IN/OUT: XLR 3 poli
- Frequenza di funzionamento: 2,4 GHz
- Massima distanza di funzionamento: 200 m
- Alimentatore (incluso): Input 100-240V 50/60Hz, Output DC 9V, 1000 mA
- Peso: 0,6 kg
- Dimensioni (LxAxP): 102x82x41 mm



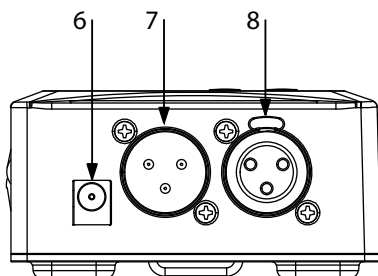
Disegno tecnico

Fig.1

1.3 ELEMENTI DI COMANDO E DI COLLEGAMENTO



Lato 1



Lato 2

1. PANNELLO DI CONTROLLO con display black OLED e 5 pulsanti per l'accesso e gestione delle diverse funzioni.
2. INDICATORE LED
 - LED ROSSO: alimentazione
 - LED VERDE (lampeggiante): funzionamento
3. ANTENNA
4. FORO FILETTATO M10 per montaggio in sospensione
5. FORO FILETTATO M12 per montaggio in sospensione
6. POWER IN: DC 9V
7. DMX IN (XLR a 3 poli):
 - 1 = massa, 2 = DMX -, 3 = DMX +
8. DMX OUT (XLR a 3 poli):
 - 1 = massa, 2 = DMX -, 3 = DMX +

Fig.2

- 2 - INSTALLAZIONE

2.1 MONTAGGIO

Quando si sceglie il luogo di installazione considerare la possibilità di facile accesso all'unità per la manutenzione ordinaria e il settaggio. Installare l'unità in un luogo ben ventilato.

Il WDBOX può essere collocato su un piano solido. Inoltre, grazie ai fori di fissaggio M10 e M12 (fig.3), l'unità può essere montata su una truss mediante l'impiego di idonei morsetti con adeguata capacità di carico. L'area di collocazione deve avere una stabilità sufficiente e supportare almeno 10 volte il peso dell'unità. Inoltre assicurarsi di rispettare tutte le avvertenze in materia di sicurezza.

In particolare, per l'installazione in sospensione è necessario proteggere l'unità contro la caduta utilizzando un cavo di sicurezza collegato ad un punto adatto.

Il WDBOX dispone anche di fori a goccia posti sulla parte posteriore in grado di consentire un facile montaggio a parete.

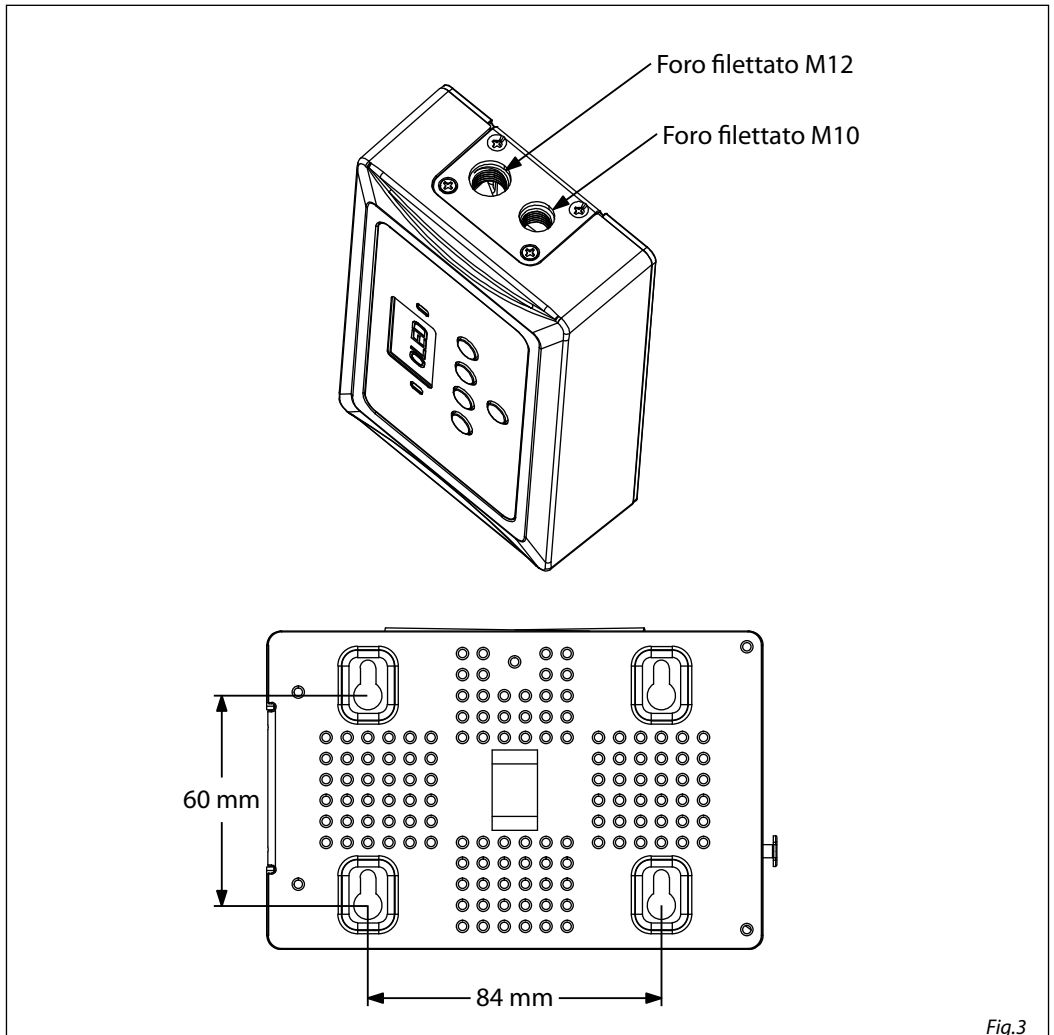


Fig.3

- 3 - FUNZIONI E IMPOSTAZIONI

3.1 FUNZIONAMENTO

Connettere l'alimentatore all'ingresso DC 9V posizionato accanto ai connettori XLR e collegare il trasformatore ad una presa di rete (100-240V~/50-60Hz). L'unità è subito pronta al funzionamento.

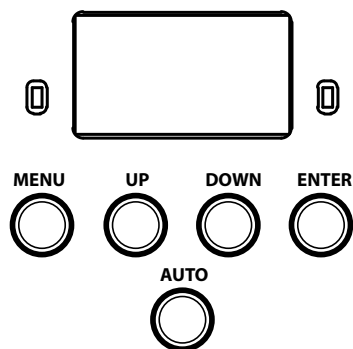
Per spegnere il WDBOX, staccare la spina dalla presa di rete.

ATTENZIONE - Assicurarsi che il voltaggio a disposizione corrisponda a quello indicato sull'etichetta dell'alimentatore: i danni derivanti da una connessione impropria non sono coperti da alcuna garanzia.

L'unità deve essere alimentata tramite l'alimentatore in dotazione il quale non deve essere mai collegato ad unità dimmer pack.

3.2 IMPOSTAZIONE BASE

Il WDBOX dispone di un display black OLED e 5 pulsanti per l'accesso alle funzioni del pannello di controllo e la loro gestione (fig.4).



MENU	UP	DOWN	ENTER	AUTO
Per entrare nel menu principale o tornare ad una opzione del menu precedente	Per incrementare il valore visualizzato oppure passare alla voce precedente di menu	Per decrementare il valore visualizzato oppure passare alla voce seguente di menu	Per entrare nel menu selezionato o confermare il valore selezionato	Rileva il segnale per la sincronizzazione dei prodotti

Fig.4 - Funzione dei tasti

3.3 STRUTTURA MENU

MAIN FUNCTION	PROGRAMMING STEPS	DESCRIPTION
Settings	Transmit Manual ⇨ CH01 - CH16	Allows selection of a specific channel for transmitting signal
	Receive Manual ⇨ CH01 - CH16	Allows selection of a specific channel for receiving signal
	Transmit Auto	Triggers the hub to auto-select a channel for transmitting signal
	Receive Auto	Triggers the hub to auto-select a channel for receiving signal

3.4 CONFIGURAZIONE

Il WDBOX può essere configurato come segue:

- unità trasmittente ed essere collegato a qualsiasi controller DMX;
- unità ricevente ed essere collegato a proiettori luci compatibili (fig5).

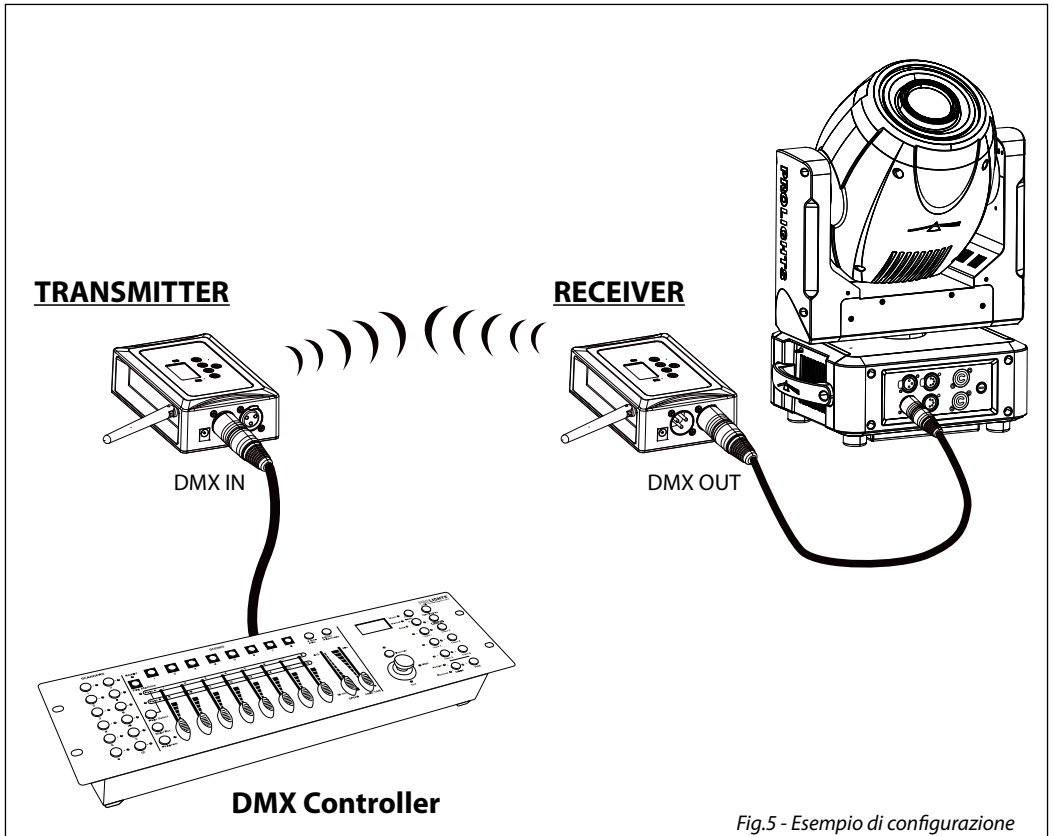


Fig.5 - Esempio di configurazione

Per impostare il WDBOX nella modalità DMX:

1. Collegare il dispositivo ad una presa di corrente adeguata.
2. Collegare un cavo DMX dall'uscita DMX del controller DMX all'ingresso DMX del WDBOX.

3.5 MODALITÀ TRASMETTITORE

Per configurare il WDBOX come unità trasmittente in modo che possa trasmettere il segnale alle unità collegate, far riferimento alla seguente procedura:

- Collegare il trasmettitore WDBOX ad un controller DMX usando un cavo DMX.
- Collegare il WDBOX all'alimentazione.

Se il display mostra **Transmit Manual** con evidenziato **CHXX**, dove XX è un valore compreso tra **01-16**, significa che il dispositivo è pronto per essere configurato per la trasmissione manuale.

- Premere il tasto MENU per entrare nel menu **Settings** e poi premere il tasto ENTER.
- Premere il tasto UP/DOWN per scorrere nel menu e selezionare **Transmit Manual**.
- Premere il tasto ENTER per confermare la scelta.
- Utilizzare i tasti UP/DOWN per selezionare il canale di trasmissione (**01 - 16**), quindi premere il tasto ENTER per confermare l'impostazione.

NOTA - Tutti i proiettori luci devono essere impostati sullo stesso canale di trasmissione del WDBOX.

3.6 MODALITÀ RICEVITORE

Per configurare il WDBOX come unità ricevente in modo che possa essere collegata ai proiettori luci, come mostrato in figura 5, è necessario far riferimento alla seguente procedura:

- Collegare il ricevitore WDBOX al proiettore luce usando un cavo DMX.
- Collegare il WDBOX all'alimentazione.

Se il display mostra **Receive Manual** con evidenziato **CHXX**, dove XX è un valore compreso tra **01-16**, significa che il dispositivo è pronto per essere configurato per la ricezione manuale.

- Premere il tasto MENU per entrare nel menu **Settings** e poi premere il tasto ENTER.
- Premere il tasto UP/DOWN per scorrere nel menu e selezionare **Receive Manual**.
- Premere il tasto ENTER per confermare la scelta.
- Utilizzare i tasti UP/DOWN per selezionare il canale di trasmissione (**01 - 16**), quindi premere il tasto ENTER per confermare l'impostazione.

NOTA - Il controller luci deve essere impostato sullo stesso canale di trasmissione del WDBOX.

3.7 MODALITÀ AUTOMATICA TRASMETTITORE/RICEVITORE

Per selezionare automaticamente il canale per la comunicazione dei dati far riferimento ai seguenti passi:

- Far riferimento ai paragrafi precedenti per il collegamento tra le unità.
- Premere il tasto MENU per entrare nel menu **Settings** e poi premere il tasto ENTER.
- Premere il tasto UP/DOWN per scorrere nel menu e selezionare **Transmit Auto/Receive Auto** rispettivamente per la trasmissione/ricezione automatica.
- Premere il tasto ENTER per salvare l'impostazione.

NOTA - Selezionando la modalità **Transmit Auto/Receive Auto** si rileva automaticamente un segnale di trasmissione quando si utilizza in combinazione con il tasto **Auto**.

3.8 ALTRE CONFIGURAZIONI

Altre modalità di configurazione sono mostrate in figura 6 seguente.

NOTA

- È possibile sincronizzare un numero illimitato di ricevitori a un trasmettitore.
- Per garantire segnali forti, le unità dovrebbero essere sollevate da terra e rimanere in linea senza ostacoli frapposti.
- Per ottenere i migliori risultati, utilizzare la modalità manuale e aggiungere singoli destinatari utilizzando lo stesso canale di trasmissione.

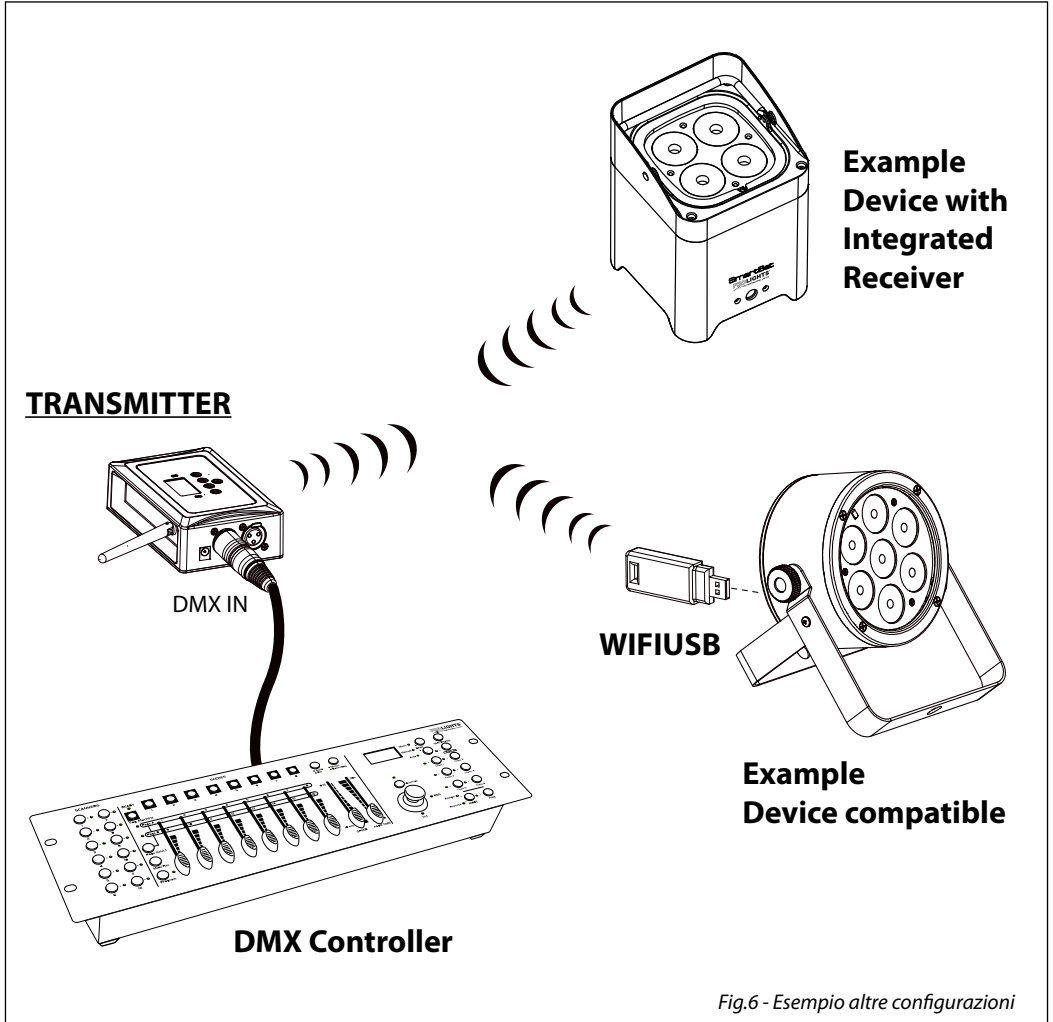
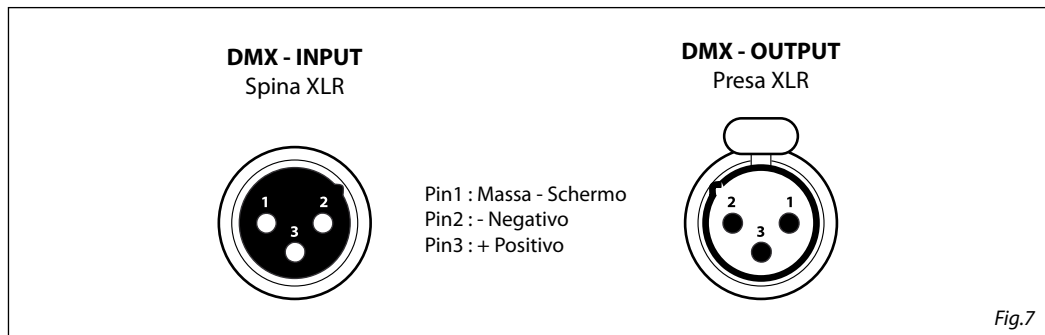


Fig.6 - Esempio altre configurazioni

3.9 COLLEGAMENTI DELLA LINEA DMX

La connessione DMX è realizzata con connettori standard XLR. Utilizzare cavi schermati, 2 poli ritorti, con impedenza 120Ω e bassa capacità.

Per il collegamento fare riferimento allo schema di connessione riportato di seguito:



ATTENZIONE

La parte schermata del cavo (calza) non deve mai essere collegata alla terra dell'impianto; ciò comporterebbe malfunzionamenti delle unità e dei controller.

Per passaggi lunghi può essere necessario l'inserimento di un amplificatore DMX.

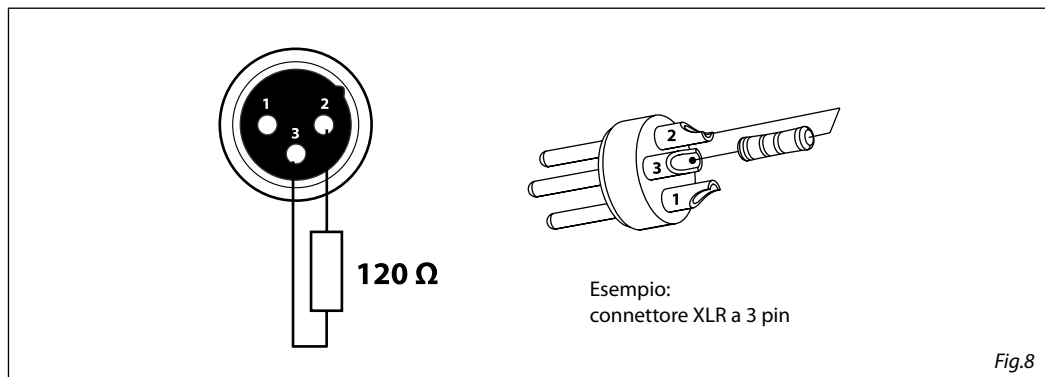
In tal caso, è sconsigliato utilizzare nei collegamenti cavo bilanciato microfonicco poiché non è in grado di trasmettere in modo affidabile i dati di controllo DMX.

- Collegare l'uscita DMX del controller con l'ingresso DMX della prima unità;
- Collegare, quindi, l'uscita DMX con l'ingresso DMX della successiva unità; l'uscita di quest'ultima con l'ingresso di quella successiva e via dicendo finché tutte le unità sono collegate formando una catena.
- Per installazioni in cui il cavo di segnale deve percorrere lunghe distanze è consigliato inserire sull'ultima unità una terminazione DMX.

3.10 COSTRUZIONE DEL TERMINATORE DMX

La terminazione evita la probabilità che il segnale DMX 512, una volta raggiunta la fine della linea stessa venga riflesso indietro lungo il cavo, provocando, in certe condizioni e lunghezze, la sua sovrapposizione al segnale originale e la sua cancellazione.

La terminazione deve essere effettuata, sull'ultima unità della catena, con connettori XLR a 3 pin, saldando una resistenza di 120Ω (minimo $1/4W$) tra i terminali 2 e 3, così come indicato in figura.



- 4 - MANUTENZIONE

4.1 MANUTENZIONE E PULIZIA DEL PRODOTTO

- Durante gli interventi, assicurarsi che l'area sotto il luogo di installazione sia libera da personale non qualificato.
- Tutte le viti utilizzate per l'installazione dell'unità e le sue parti devono essere assicurate saldamente e non devono essere corrose.
- Alloggiamenti, elementi di fissaggio e di installazione (soffitto, truss, sospensioni) devono essere totalmente esenti da qualsiasi deformazione.
- I cavi di alimentazione devono essere in condizione impeccabile e devono essere sostituiti immediatamente nel momento in cui anche un piccolo problema viene rilevato.

L'utilizzo e l'ambiente sono fattori che contribuiscono a determinare la frequenza di pulizia.

Per la pulizia del prodotto, seguire le istruzioni riportate di seguito:

- Scollegare il dispositivo dall'alimentazione elettrica.
- Per la pulizia usare un panno morbido, pulito e un detergente per vetri come si trovano in commercio.
- Delicatamente lucidare le superfici fino a che non siano prive di lanugine.

NOTA - Non aprire il prodotto per la pulizia o la manutenzione.

