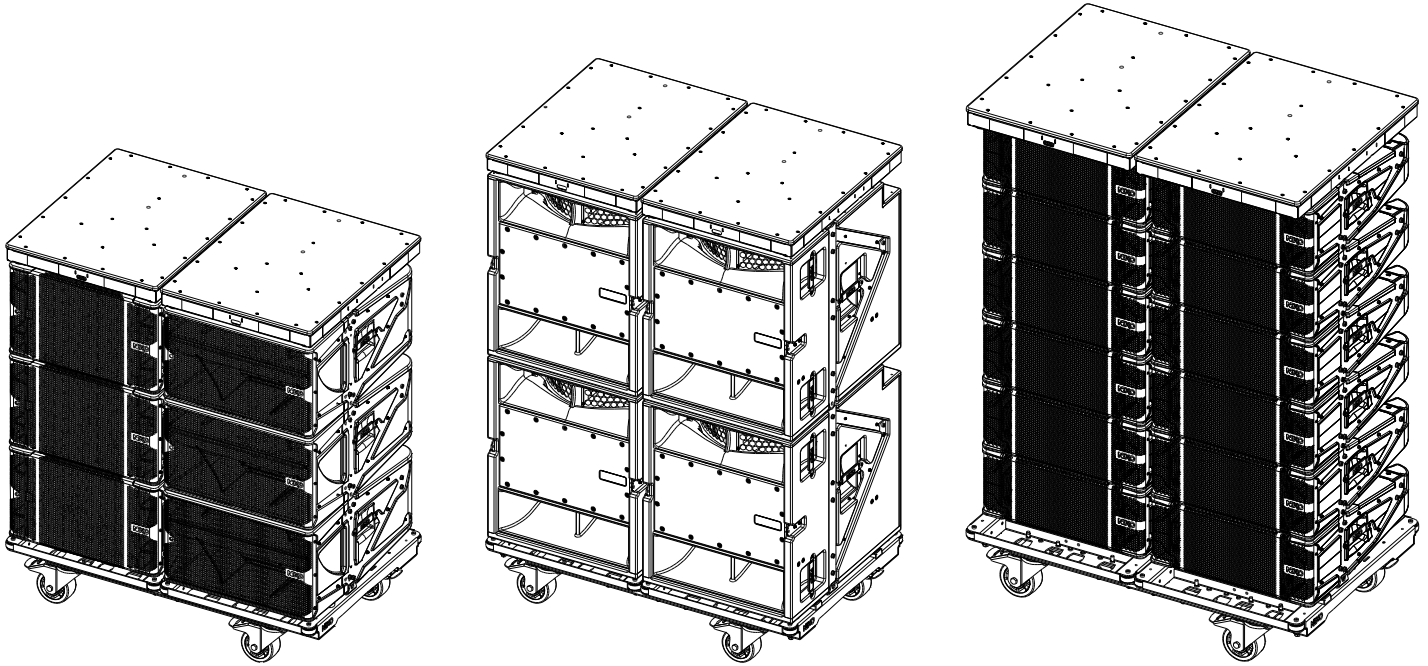
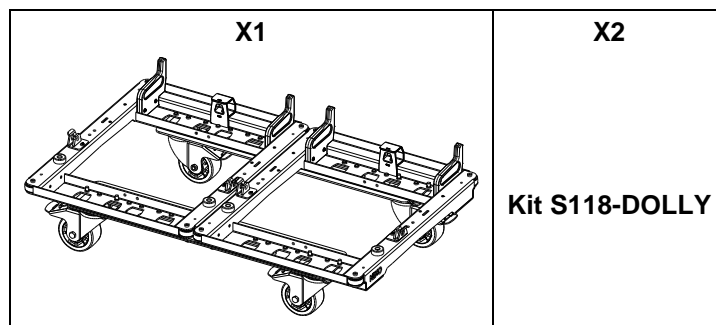


## Double Dolly

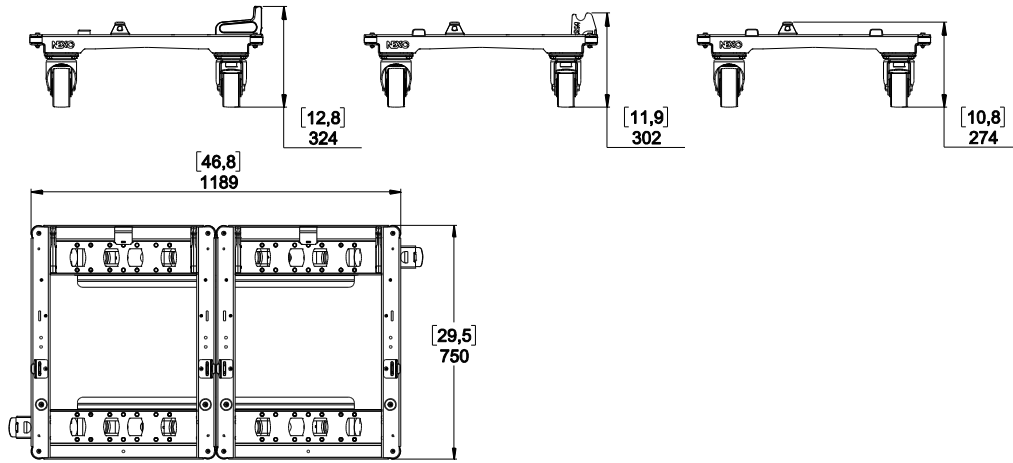


### Contents:



Weight: 63 kg / 139 lb

## Dimensions:



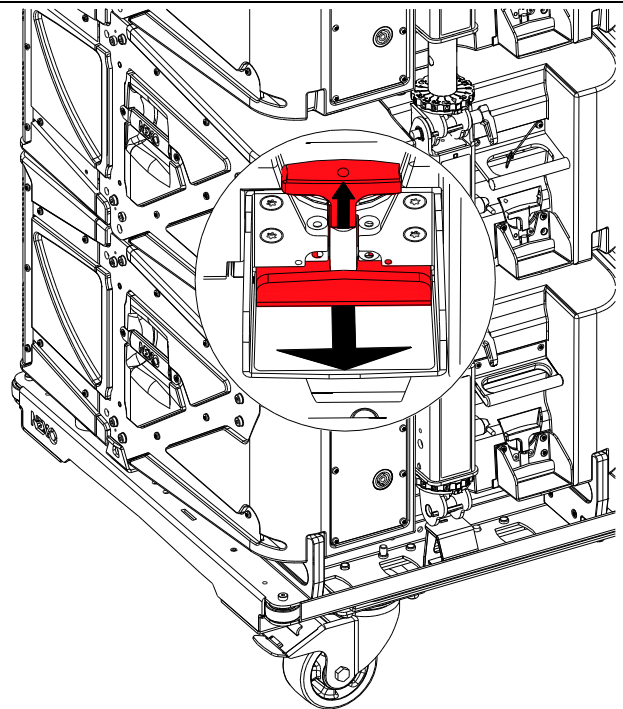
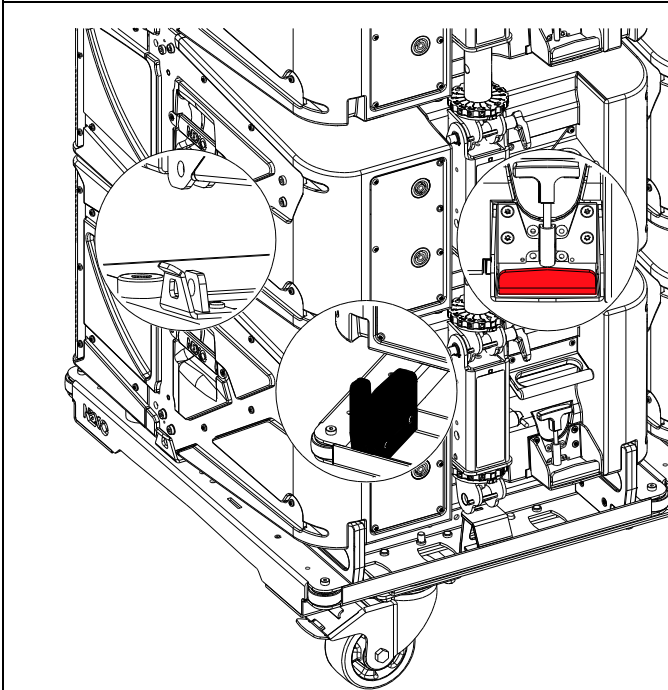
## Use

Lock the Piston before.

Use the back guides to position the cabinets .

Lock cabinet on the dolly with 'RedLock'.

Pull upwards the red latch and at the same time, pull the RedLock back to Unlock



\*For STM- M28, please refer to STT-DOLLYKIT28 Product data Sheet

- NEXO cannot accept responsibility for accidents caused by any factor other than defects in this product itself.
- Please check the web site [nexo-sa.com](http://nexo-sa.com) for the latest update.

# NEXO

[nexo-sa.com](http://nexo-sa.com)

ZA du Pre de la Dame Jeanne  
60128 PLAILLY - France

- Read this document before using.
- Keep this document.
- Observe all warnings and cautions.