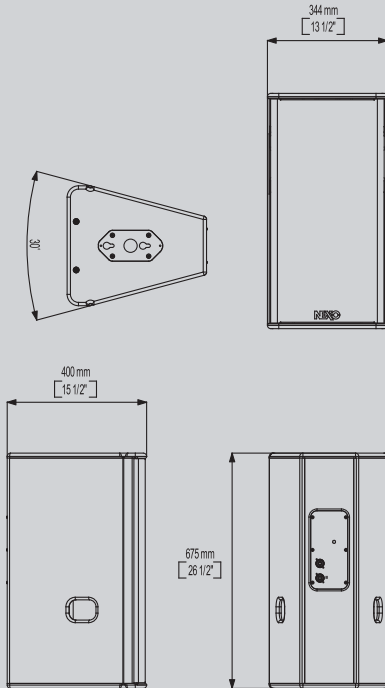


GEO S1230

NEXO

Geo S12



GEO S1230 Advantages

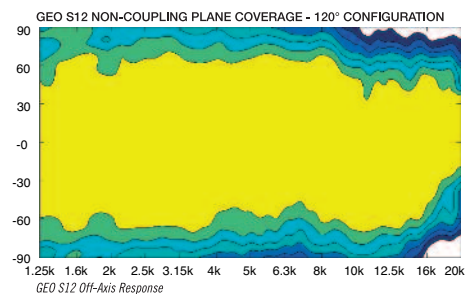
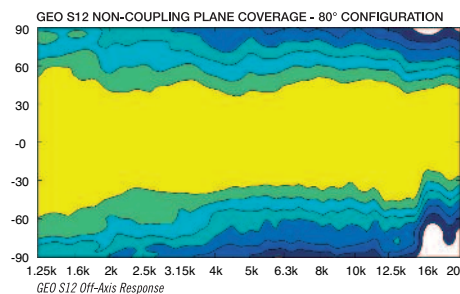
- Coherent Wave Propagation from NEXO's Advanced GEO Hyperbolic Wavesource
- Advanced Constant Velocity Profile Output from 28.5° Wavefront Curvature
- Integral Rigging System with Angles from 22.5° to 30°
- GeoSoft2 Configurable, EtherSound™ (Network)
- Bottom-Line Engineering for Theatre to Arena-Sized Fixed & Mobile Applications

GEO S1230 is recommended for

- Stadia/Arena/Auditorium Installations (Any Scale)
- High Traffic Walkways and Public Waiting Areas
- Foreground Playback for Nightclubs and Discos
- Corporate AV and Presentation Systems
- Portable Entertainment and DJ Systems
- Small to Mid-Size Tour Systems
- Houses of Worship

NEXO's compact, 2-way GEO S1230 is a scalable high-output, loudspeaker module. While a narrow-Q (30°) device in single-source mode, S1230's unique Hyperboloid Reflective Wavesource (HRW) also allows coupled S1230s to radiate as coherent, wavefronts, in either horizontally or vertically arrayed systems. GEO S1230's coupled MF/HF pattern control is array-dependent, as designed by GEOSoft2 array software, and configured according to venue-specific geometry. Non-coupled MF/HF coverage configures at 80° or 120°.

The S1230 module displays exceptional MF-LF output (103dB SPL nominal sensitivity -1W @1m) from a single 12" loudspeaker and NEXO's proprietary Directivity Phase Device (DPD). Precise, inter-cabinet angle adjustments, are optimized by integral flying system hardware while NEXO's digital N242 TDcontroller maximizes S1230's MF/HF coherency.



NEXO
www.nexo.fr

GEO S1230

NEXO

GEO S12



NEXO is one of the world's leading sound reinforcement loudspeaker manufacturers. Founded in 1979, the company is dedicated to crafting practical solutions with solid engineering. Each new design begins with a proprietary sophisticated computer simulation process that allows every parameter to be extensively modeled and simulated, leading to breakthrough cost and performance gains. NEXO's comprehensive product line includes loudspeakers, analogue and digital control electronics and amplification; all designed to deliver consistent sound quality and long term reliability for a broad range of applications.

NEXO S.A.
Parc d'Activité
du Pré de la Dame Jeanne
B.P. 5
60128 PLAILLY
Tel: +33 (0) 3 44 99 00 70
Fax: +33 (0) 3 44 99 00 30
e-mail: info@nexo.fr

NEXO LatAM
C.C. No 33. Suc 49
Caballito (1449)
Buenos Aires
Argentina
Tel: +54 114 432 1911
Fax: +54 114 431 1007
e-mail: info@nexo.fr

NEXO Asia
GPO Box 806
Hong Kong
SAR China
Tel: +852 9096 3472
Fax: +852 2104 3214
e-mail: info@nexo.fr

GEO S1230 PRODUCT FEATURES

Components	HF: 1x 3" voice coil, 1.4" throat 16Ω driver on a 30° hyperboloid reflective wavesource. MF/LF (front-firing): 1x 12" (30cm) high excursion neodymium 16Ω driver.
Height x Width x Depth	344 x 674 x 400 mm (13 1/2" x 26 1/2" x 15 1/2") excluding accessories. Rigging axis to axis height: 345mm (13 1/2")
Shape	30° Trapezoid
Weight net	26.8kg (59.1lbs) excluding accessories
Connectors	2x NL4MP SPEAKON 4-pole (In & Through)
Construction	Baltic Birch ply with structured black coating
Front finish	Molded Dark Grey Metal Grill
Flying points	Two plates connecting with external accessories. Intercabinet angle adjustments = (16°) - 22.5° - 30°.

SYSTEM SPECIFICATIONS GEO S1230

Frequency response [a]	53Hz – 19kHz ±3dB	
Usable range @-6dB [a]	50Hz – 20kHz	
Sensitivity	103dB SPL nominal	
Peak SPL @ 1m [b]	131 to 133dB Peak (for 500 to 900 W RMS Amplifier)	
Dispersion [c]	Coupling Plane: 28.5° Non-Coupling Plane: Configurable 80° / 120°	
Crossover frequency	LF- HF: 1.1kHz Passive or Active (internally configurable).	
Nominal impedance	16Ω	
Recommended amplifiers		
3x GEO S1210 in parallel	HF: 875 to 1550W into 4Ω	LF: 1750 to 3100W into 4Ω
4x GEO S1210 in parallel	HF: 1000 to 1800W into 4Ω	LF: 2000 to 3600W into 4Ω
6x GEO S1210 in parallel	HF: 1650 to 3000W into 2Ω	LF: 3300 to 6000W into 2Ω

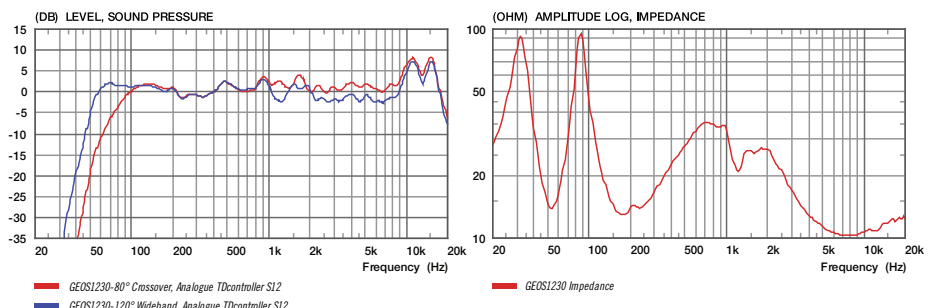
SYSTEM OPERATION

Electronic Controller	NEXO TDcontroller presets are precisely matched to GEO S12 Series cabinets and include sophisticated protection. Using GEO S12 Series cabinets with improperly connected TDcontrollers will result in poor sound quality and can damage components.
Array Design	Arrays of less than 4x GEO S1210 will provide poor dispersion control and neither recommended nor supported.
Sub-Bass	RS15 / CD18 / GEO SUB / S2 extend system low frequency response down to 35Hz / 32Hz / 38Hz / 32Hz.
Speaker Cables	Active: 1-/1+; LF; 2-/2+; HF / Passive: 1-/1+; Not Connected; 2-/2+; LF + HF.
Rigging System	Please refer to the GEO S1230 User Manual before operation.

SHIPPING & ORDERING

Packaging	GEO S1230 are packaged individually
Shipping Weight	1x GEO S1230 = 30kg(66.1lbs), 0.15 cu m (5.3 cu ft)

As part of a policy of continual improvement, NEXO reserves the right to change specifications without notice. [a] Response curves and data: anechoic far field above 200Hz, half-space below 200Hz. [b] Sensitivity & peak SPL: will depend on spectral distribution. Measured with band limited pink noise. Refers to the specified ±3dB range. Data are for speaker + processor + recommended amplifier combinations. [c] Directivity curves and data: 1/3 octave smoothed frequency response, normalized to on-axis response. Data obtained by computer processing of offaxis response curves. [d] Please refer to the GEO S1230 User Manual. Usable range data: frequency response capability with TDcontroller crossover slopes removed.



LIMITED WARRANTY

NEXO loudspeakers and electronics are covered against defects in workmanship or materials for a period of two (2) years from the original date of purchase. At the option of NEXO the defective item will be repaired/replaced with no charge for materials/labour. The item is to be adequately packaged and dispatched, pre-paid, to a NEXO authorised distributor/service centre. Unauthorised repair shall void the warranty. The NEXO warranty does not cover cosmetics or finish and does not apply to any items which in NEXO's opinion have failed due to used abuse, accidents, modifications or any type of misuse. All images and text herein are the property of NEXO SA, and deemed accurate, although specifications are subject to change without notice.

NEXO
www.nexo.fr