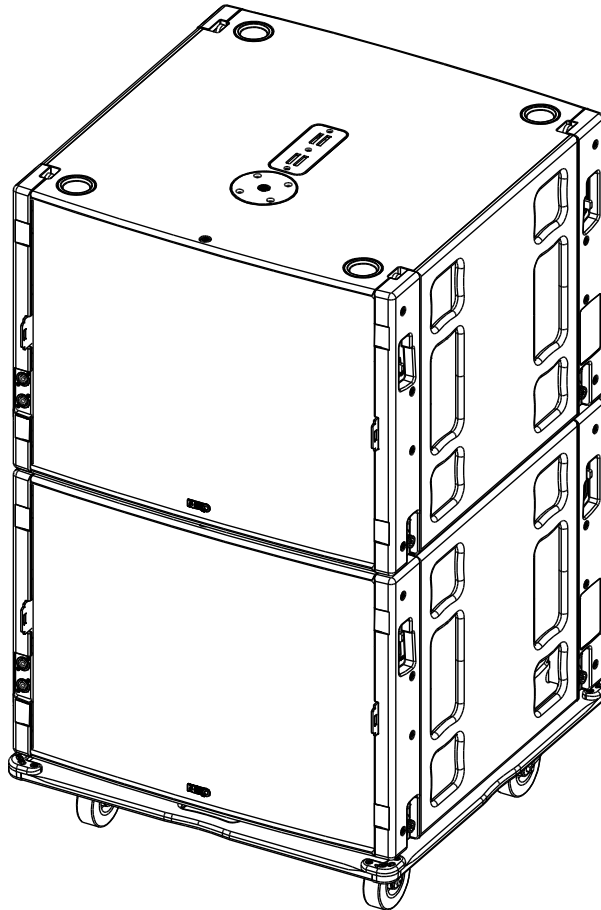
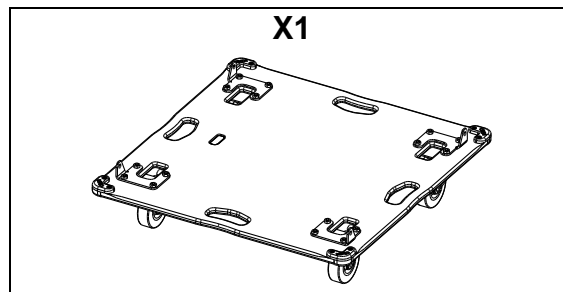


Dolly for 2x MSUB18

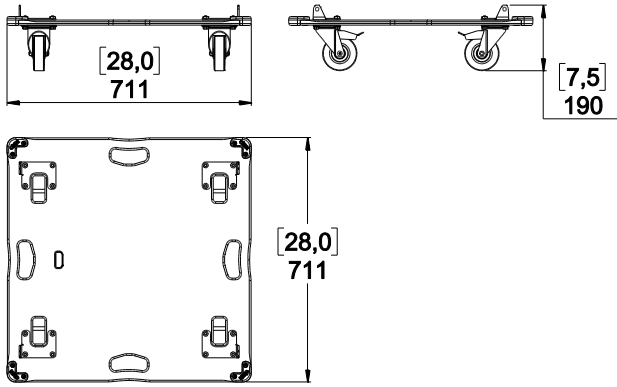


Contents:



Weight: 10 kg / 22 lb

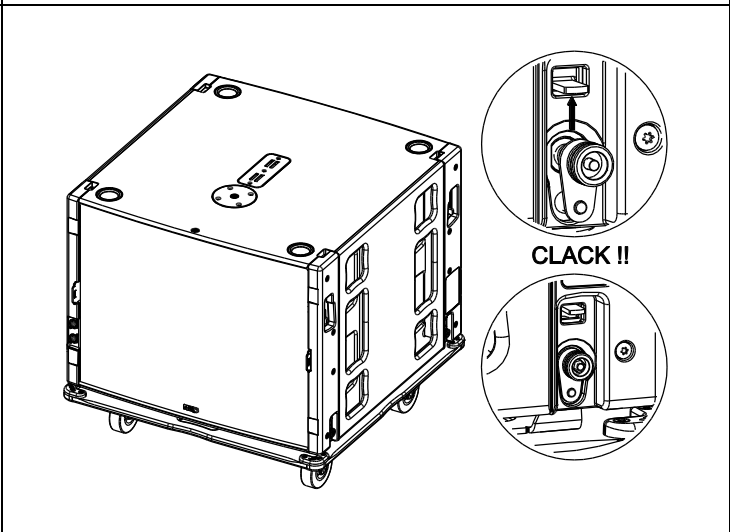
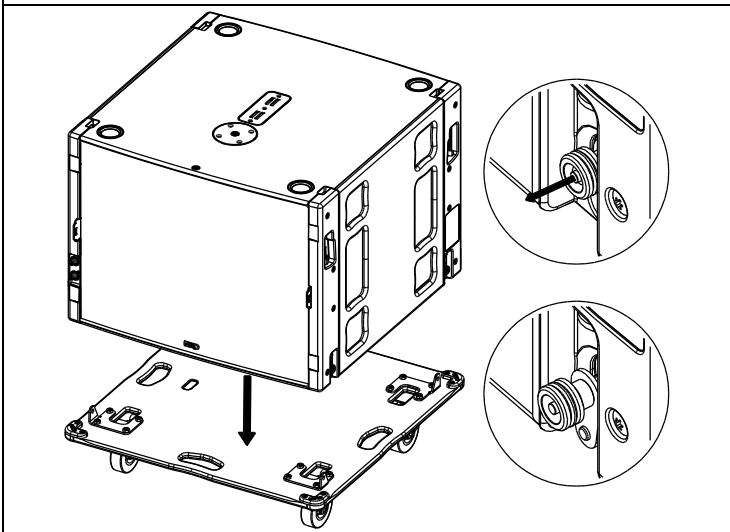
Dimensions:



Use:

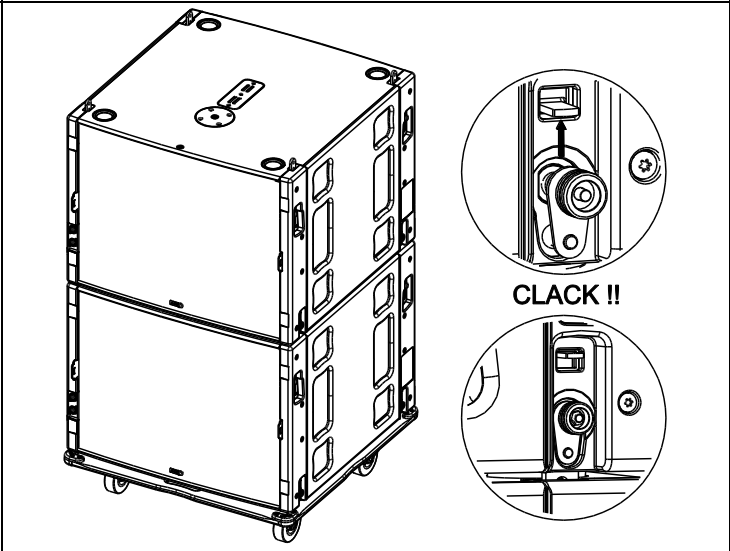
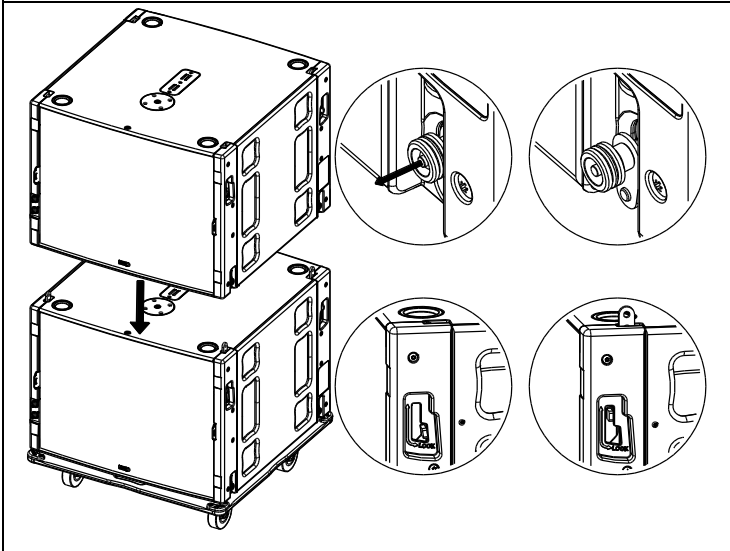
At each lower corner, you have a semi-auto lock system. Pull the knob in OPEN position.

Pull the lever up to lock the MSUB18 on the Dolly once in place.



Pull the knob in OPEN position. A lever allows to take out the rigging link.

Pull the lever up to lock the 2 MSUB18 together on the Dolly once in place.



Proceed the same way for the disassembly.

- NEXO cannot accept responsibility for accidents caused by any factor other than defects in this product itself.
- Please check the web site nexo-sa.com for the latest update.



nexo-sa.com
ZA du Pre de la Dame Jeanne
60128 PLAILLY - France

- Read this document before using.
- Keep this document.
- Observe all warnings and cautions.

