



Creative Musical Interface



OWNER'S MANUAL

Vestax Corporation

1-18-6 Wakabayashi, Setagaya-ku, Tokyo 154-0023 Japan
Phone 03-3412-7011 Fax 03-3412-7013
Web : www.vestax.com

Vestax (Europe) Ltd.

Unit 5 Riverwey Industrial Park Alton Hampshire GU34 2QL England, U.K.
Phone (0)1420-83000 Fax (0)1420-80040
Web : www.vestax.co.uk

Vestax Europe Technical Support

Rheinstr.213 D-53332 Bornheim Germany
Phone 49(0)2222-95-23-72 Fax 49(0)2222-95-23-74

CONGRATULATIONS !

Thank you for purchasing the Vestax QFO LE Creative Musical Interface. We suggest that you read through this owner's manual thoroughly so that you may enjoy the full use of this product safely and in the knowledge of all its special features and suitable applications.

CONTENTS

C A U T I O N	2
IMPORTANT SAFEGUARDS	3
F E A T U R E S	4
A.S.T.S(Anti Skipping Tone-arm System)	5
B E F O R E U S E	5
F U N C T I O N S	6
M I X E R S E C T I O N	6
T U R N T A B L E S E C T I O N	8
ASSEMBLY AND SET-UP	9
INSTALLATION AND CONNECTION	11
A D J U S T M E N T	12
OPERATION OF RECORD	13
EXCHANGE THE FADER UNIT	14
S P E C I F I C A T I O N	15



CAUTION

RISK OF ELECTRIC SHOCK DO NOT OPEN



**CAUTION : TO REDUCE THE RISK OF ELECTRIC SHOCK
DO NOT REMOVE COVER (OR BACK)
NO USER-SERVICEABLE PARTS INSIDE
REFER SERVICING TO QUALIFIED SERVICE PERSONNEL**



The lightning flash with arrowhead symbol, within an equilateral triangle, is intended to alert the user to the presence of uninsulated "dangerous voltage" within the product's enclosure that may be of sufficient magnitude to constitute a risk of electric shock to persons.



The exclamation point within an equilateral triangle is intended to alert the user to the presence of important operating and maintenance (servicing) instructions in the literature accompanying the appliance.

**TO REDUCE THE RISK OF FIRE OR ELECTRIC SHOCK, DO NOT
EXPOSE THIS APPLIANCE TO RAIN OR MOISTURE.**

IMPORTANT SAFEGUARDS

READ BEFORE OPERATING EQUIPMENT

This product was designed and manufactured to meet strict quality and safety standards. There are, however, some installation and operation precautions which you should be particularly aware of.

1. Read instructions-All the safety and operating instructions should be read before the appliance is operated.
2. Retain instructions-The safety and operating instructions should be retained for future reference.
3. Heed Warnings-All warnings on the appliance and in the operating instructions should be adhered to.
4. Follow Instructions-All operating and use instructions should be followed.
5. Cleaning-Unplug this product from the wall outlet before cleaning. Do not use liquid cleaners or aerosol cleaners. Use a damp cloth for cleaning.
6. Attachments-Do not use attachments not recommended by the product manufacturer as they may cause hazards.
7. Water and Moisture-Do not use this product near water-for example, near a bath tub, wash bowl, kitchen sink, or laundry tub, in a wet basement, or near a swimming pool, and the like.
8. Accessories-Do not place this product on an unstable cart, stand, tripod, or table. The product may fall, causing serious injury to a child or adult, and serious damage to the appliance. Use only with a cart, stand, tripod, bracket, or table recommended by the manufacturer, or sold with product. Any mounting of the appliance should follow the manufacturer's instructions, and should use a mounting accessory recommended by the manufacturer.
9. Ventilation-Slots and openings in the cabinet are provided for ventilation and to ensure reliable operation of the product and to protect it from overheating, and these openings must not be blocked or covered. The openings should never be blocked by placing the product on a bed, sofa, rug, or other similar surface. This product should never be placed near or over a radiator or heat register. This product should not be placed in a built-in installation such as a bookcase or rack unless proper ventilation is provided or the manufacturer's instructions have been adhered to.
10. Power sources-This product should be operated only from the type of power source indicated on the marking label. If you are not sure of the type of power supply to your home, consult your appliance dealer or local power company.
11. Grounding or Polarization-This product is equipped with a polarized alternating-current line plug (a plug having one blade wider than the other). This plug will fit into the power outlet only one way. This is a safety feature. If you are unable to insert the plug fully into the outlet, try reversing the plug. If this should still fail to fit, contact your electrician to replace your obsolete outlet. Do not defeat the safety purpose of the polarized plug.
12. Power-Cord Protection-Power supply cords should be routed so that they are not likely to be walked on or pinched by items placed upon or against them, paying particular attention to cords at plugs, convenience receptacles, and the point where they exit from the appliance.
13. Protective Attachment Plug-The appliance is equipped with an attachment plug having overload protection. This is a safety feature. See Instruction Manual for replacement or resetting of protective device. If replacement of the plug is required, be sure the service technician has used a replacement plug specified by the manufacturer that has the same overload protection as the original plug.
14. Lightning-For added protection for this product during lightning storm, or when it is left unattended and unused for long periods of time, unplug it from the wall outlet. This will prevent damage to the product due to lightning and power-line surges.
15. Overloading-Do not overload wall outlets and extension cords as this can result in a risk of fire or electric shock.
16. Object and Liquid Entry-Never push objects of any kind into this product through openings as they may touch dangerous voltage points or short-out parts that could result in a fire or electric shock. Never spill liquid of any kind on the product.
17. Servicing-Do not attempt to service product yourself as opening or removing covers may expose you to dangerous voltage or other hazards. Refer all servicing to qualified personnel.
18. Damage Requiring Service-Unplug this product from the wall outlet and refer servicing to qualified service personnel under the following conditions:
 - a. When the power-supply cord or plug is damaged.
 - b. If liquid has been spilled or objects have fallen into the product.

- c. If the product has been exposed to rain or water.
 - d. If the product does not operate normally by following the operating instructions. Adjust only those controls that are covered by the operating instructions as an improper adjustment of other controls may result in damage and will often require extensive work by a qualified technician to restore the product to its normal operation.
 - e. If the product has been dropped or cabinet has been damaged.
 - f. When the product exhibits a distinct change in performance-this indicates need for service.
- 19.Replacement Parts-When replacement parts are required, be sure the service technician has used replacement parts specified by the manufacturer or have the same characteristics as the original parts. Unauthorized substitutions may result in fire, electric shock or other hazards.
20. Safety Check-Upon completion of any service or repairs to product, ask the service technician to perform safety checks to determine that the product is in proper operating condition.
- 21.Carts and Stands-The appliance should be used only with a cart stand that is recommended by manufacturer.
- 22.An appliance and cart combination should be moved with care. Quick stops, excessive force, and uneven surfaces may cause the appliance and cart combination to overturn.



FEATURES

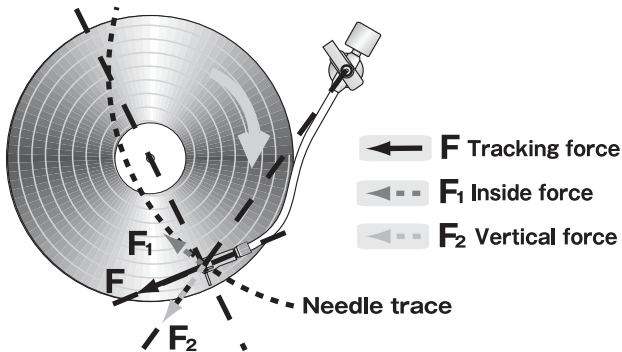
- This is the very first model designed by Q-BERT which has DJ Mixer and Turntable in one united body.
- The “Dynamic Balance A.S.T.S.” allows the needle to trace the groove at any angle with no skipping or tracing error.
- The heart of machine, motor has proven its high stability and reliability in Vestax PDX-2000series. The motor is our original high torque direct drive.
- Spin slide pitch controller placed around the platter(MAX $\pm 60\%$).Linking pitch moves and scratches are possible.

A.S.T.S(Anti Skipping Tone-arm System)

A.S.T.S(Anti Skipping Tone-arm System) has been developed with years of experience and a number of trials, searching for the innovative tone-arm for professional DJ's. This system breaks all of the historic common sense, achieving its non skipping performance in hard scratching. A.S.T.S consists of two inventions, short/straight arm and TH (Tracing Hold) balance system.

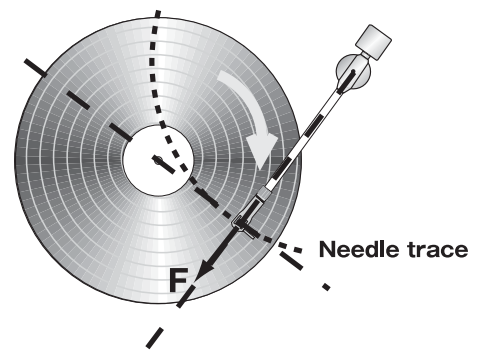
- TH balance system gives horizontal movement in addition to vertical. This movement gives much more stable balance (vertical direction) to the needle. The combination of short / straight arm and TH balance system gives the best stability to the needle, which enables anti-skipping in hard scratching.
- The brass arm with aluminum cover is used for A.S.T.S . This combination results in the best pick up sensitivity as well as the best resistance to howling. This new tone-arm allowed A.S.T.S to increase the resistance against the howling by over 50% compared to the normal aluminum arm.

NORMAL TYPE TONE-ARM



F (Tracking force) generates inside force.

A. S. T. S



No inside force is generated.

BEFORE USE

Parts and accessories

Before use, please check that you have all parts.

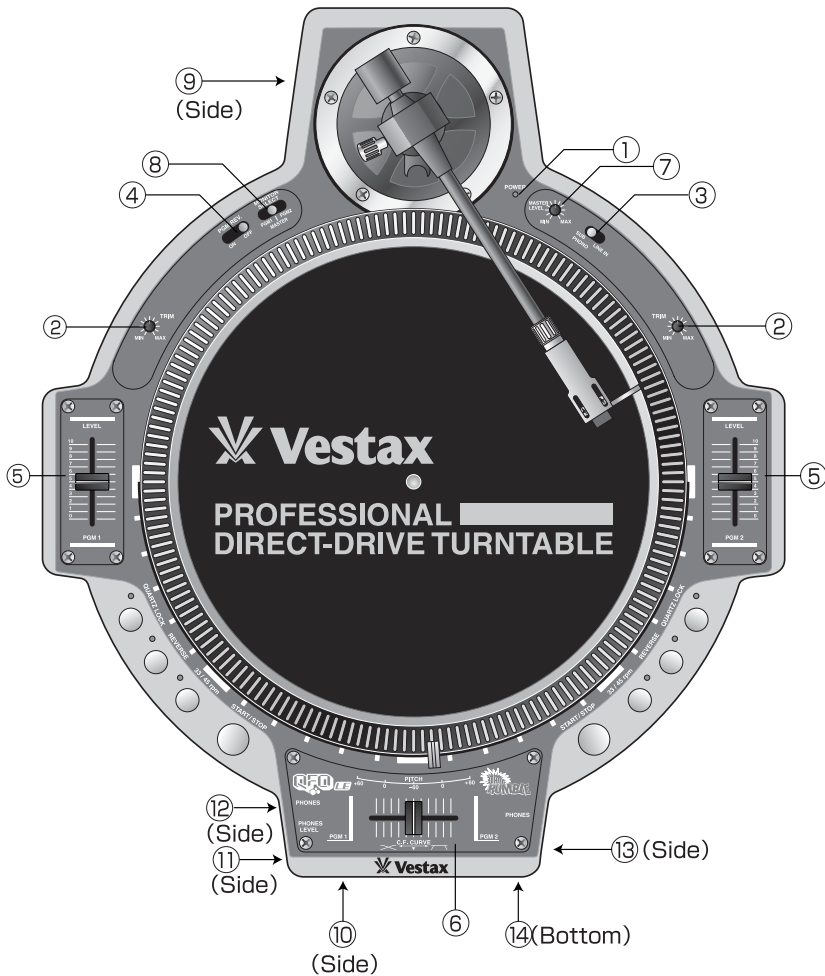
Main unit
Platter
Slip mat
Head shell
Balance weight

※ Accessories accompanying this booklet.

Shell weight
EP adapter
Platter screws
Screw driver for platter screw
Owner's manual

MIXER SECTION

TOP PANEL



TOP

① POWER INDICATOR

Lights up when the POWER SWITCH is on.

② TRIM VOLUME

Adjusts the input level of each channel. Set INPUT FADER to 7-8 position; adjust the TRIM so that the sufficient signal is fed without distortion.

③ SUB PHONO / LINE IN (SUB PHONO LINE IN) SELECTOR

This switch selects the input sound signal (SUB PHONO & LINE IN) for PGM2. Selectable from the turntable sound and audio devices connected to LINE input.

④ PGM REV(PGM Reverse) Switch

This switch reverses the each PGM assignment. (PGM 1 to PGM2, PGM2 to PGM 1)

⑤ INPUT FADER (PGM1/PGM2)

Used to adjust input level of each PGM channel. This is a detachable fader for ease of replacement. Replace with IF-Q when it is worn out. Please see the "EXCHANGE THE FADER UNIT" section of this manual.

⑥ CROSS FADER

When the input level of PGM1 and PGM2 are properly set, PGM1 will be heard with the crossfader set to the left side. PGM2 will be heard with the cross fader set to the right side. When the crossfader is set in the center, both programs will be heard. This is detachable fader for the ease of replacement with "CF-PCV" when it is worn out. Please see the "EXCHANGE THE FADER UNIT" section of this manual.

⑦ MASTER LEVEL VOLUME

Adjusts the signal level outputs from MASTER OUT.

⑧ MONITOR SELECT SWITCH

This switch is used to select the way of monitoring from following.

PGM1..... It allows you to hear input signal of PGM1.
MASTER .. It allows you to hear the signal of MASTER OUT.

PGM2..... It allows you to hear input signal of PGM2.

SIDE

⑨ POWER SWITCH

Use to turn power on.

NOTE

This switch should be turned on after you have turned off all input devices and before you turn on any devices attached to output.

⑩ C.F. CURVE SWITCH

Select the cross fader curve. When this switch is slide to right side it gives a steep cross fader good for scratching and cutting. When sliding to the left side it gives a gentle cross fader good for long running mixes.

⑪ PHONES LEVEL VOLUME

Adjusts the headphone monitor level.

⑫ PHONES2 JACK -MINI JACK(φ3.5)

Connect the headphones with a 1/8" mini headphone plug. (the impedance of 8ohm to 600ohm)

⑬ PHONES1 JACK -PHONE JACK(φ6.3)

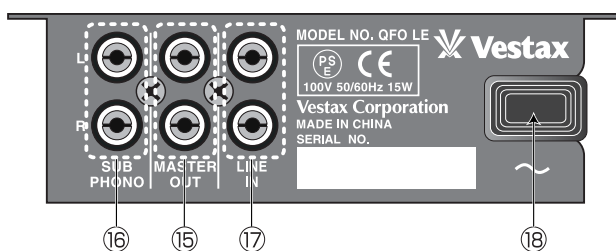
Connect the headphones with a standard 1/4" stereo plug. (the impedance of 8ohm to 600ohm)

BOTTOM

⑭ C.F. REVERSE SWITCH

Reverses the action of the cross fader by switching PGM1 and 2.

REAR PANEL



REAR PANEL

⑮ MASTER OUT JACK

Connect to the line/AUX input of power amplifier/mixer.

⑯ SUB PHONO INPUT JACK

Connection for other turntables. The sound is outputted to PGM2.

⑰ LINE IN INPUT JACK

Connection for CD, MD and tape players. The sound is outputted to PGM2.

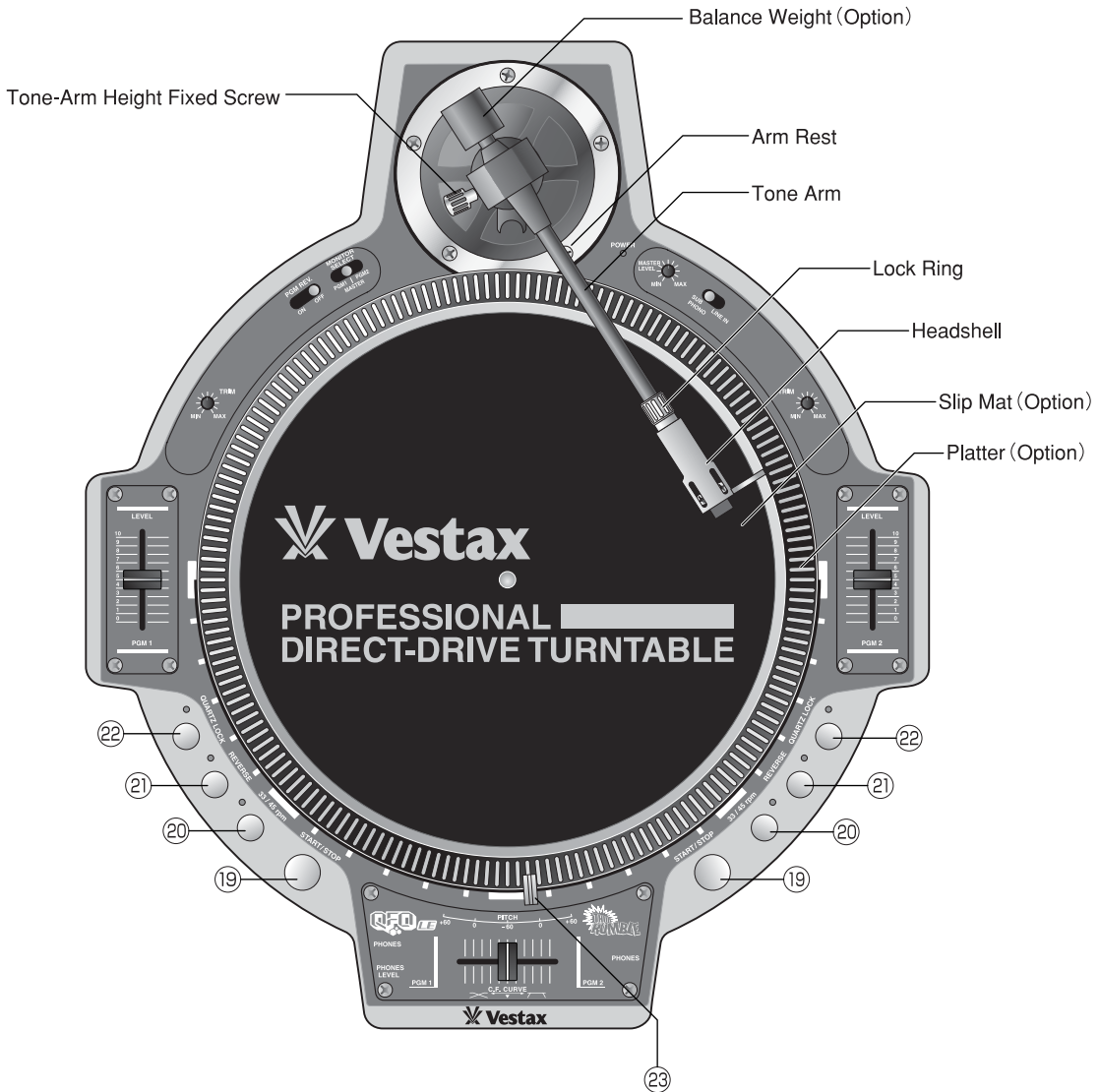
⑱ AC POWER CODE

Connect the AC power cord to suitable outlet.

NOTE

This unit has been manufactured to fit strict quality and safety standards. PLEASE ENSURE that you use the correct power supply as shown on the rear panel of this device. FAILURE to do so many result in shock and/or serious damage to this unit and/or users.

■ TURNTABLE SECTION



19 START/STOP SWITCH

It is started/stopped the platter every push.

20 33/45 (33/45rpm) SELECT SWITCH

Select the playing speed to either 33 1/3 or 45rpm. When the indicator LED is lit, it is selected 33rpm.

21 REVERSE SWITCH

When pushed, this switch will instantly reverse the playing direction of the platter. In reverse mode, an indicator LED will be on. When the unit is first turned on, the platter is set to spin in the normal forward direction.

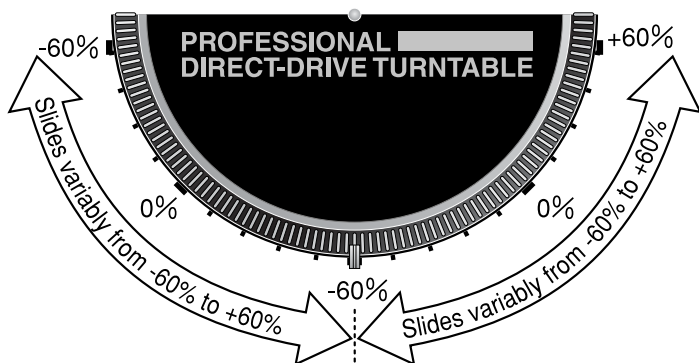
22 QUARTZ LOCK SWITCH

When this switch is on, the indicator LED is lit. When this switch is on, the speed will become pre-determined one even the Pitch Control Volume not in the 0% position.

23 PITCH CONTROL VOLUME

This volume is for adjusting the pitch.

1. When the Quartz Lock is off, the pitch can be adjusted.
2. When moving the Pitch Control Volume, you can adjust the revolutions by $\pm 60\%$.



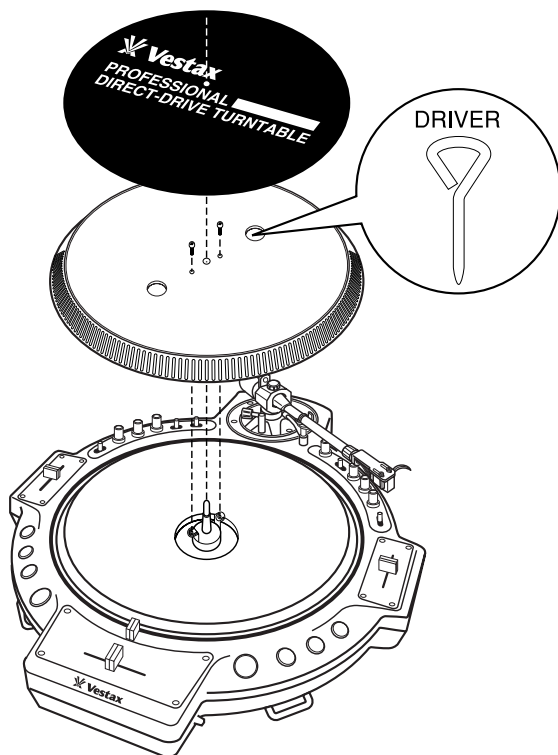
ASSEMBLY AND SET-UP

Turntable Assembly

- (1) Place the platter on the center spindle. The platter will adjust itself to best fit over the spindle.
- (2) Adjust the positioning of a platter so that a screw goes into a screw holes.
- (3) Tighten screws using a driver and fix a platter and a main unit.
- (4) Place the slip mat on the platter.

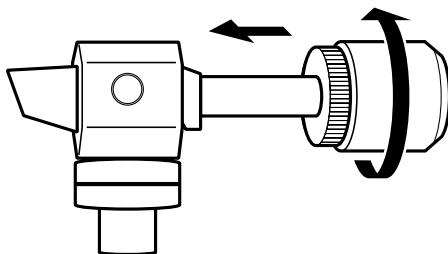
NOTE

In case of an assembly, be careful so that a main unit and a platter do not collide strongly.
 If the player is operated without fixing the screws, the platter may not rotate properly.
 Do not plug into a power outlet until this unit is fully assembled and adjusted.



Installing the Balance Weight

From the backend of the tone arm (towards the rear panel) place the balance weight onto the shaft and turn counter clockwise. (Refer to the illustration)



Slip mat

Place the slip mat on the platter. Then place a record on top of the slip mat. By using a slip mat, it becomes possible to stop a record board by hand during rotation of a platter or to make it reverse. Moreover, if an optional slip-sheet is set and used, it will take effect more.

Cartridge Installation

- (1) Make sure that you follow the instructions included with your cartridge.
- (2) Connect the lead wires to the respective terminals. Industry standard cartridges come with color-coded wires. Make sure that you match these colors correctly.

Red (R+) Right Channel+ Green (R-) Right Channel -
White (L-) Left Channel+ Blue (L-) Left Channel -

NOTE

If using a lightweight cartridge, we suggest the use of the shell weight enclosed.

- (3) The overhang of your cartridge needs to be adjusted to best suit the A.S.T.S tone arm. For best tracking and stylus pressure a distance of 50mm (as shown) should be set.

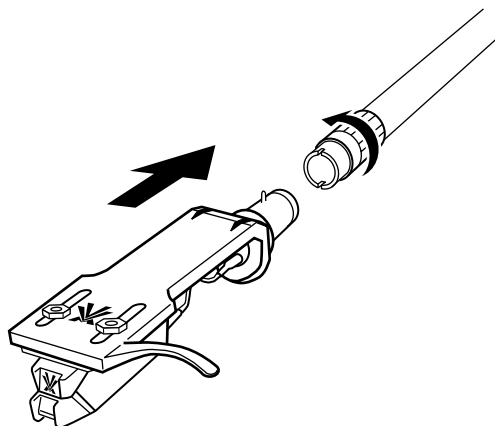
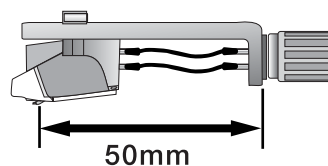
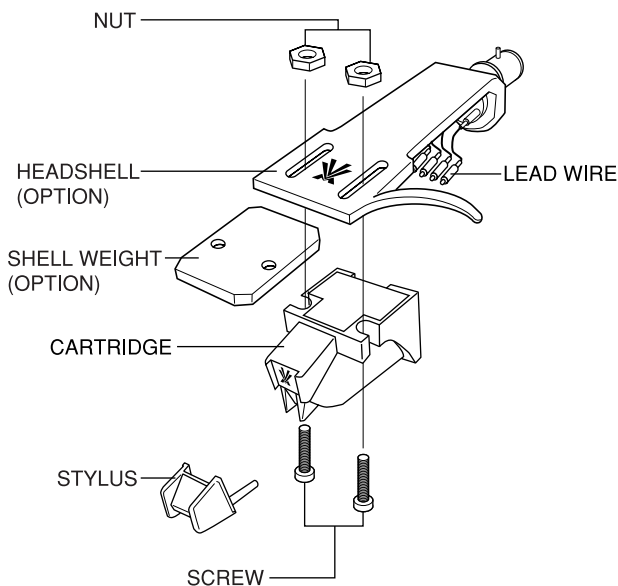
NOTE

To avoid premature damage to the stylus take care to avoid touching it during any adjustment(s).

- (4) Insert the head shell into the front part of the tone arm. Turn the locking ring in the direction shown below until the head shell is firmly fixed in place.



Top: Record disc side (Printed side)
Bottom: Slip surface side



INSTALLATION AND CONNECTION

Player Installation

- Do not place the unit where it is exposed to direct sun light, high temperature of humidity to prevent possible troubles.
- Place the unit in a stable and horizontal position, where there is little or no vibration.
- Locate the unit as far away from the speakers as possible and isolate the unit from sound radiation from them.
- If the unit is placed too close to the radio, interference to AM/FM reception may result

Power Connection

Connect the AC power cord to suitable outlet.

NOTE

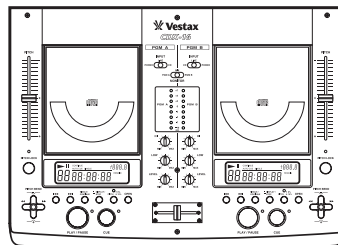
This unit has been manufactured to fit strict quality and safety standards. PLEASE ENSURE that you use the correct power supply as shown on the rear panel of this device. FAILURE to do so may result in shock and/or serious damage to this unit and/or users.

TURN TABLE [PDX-2000MkII]



OUTPUT
SUB PHONO

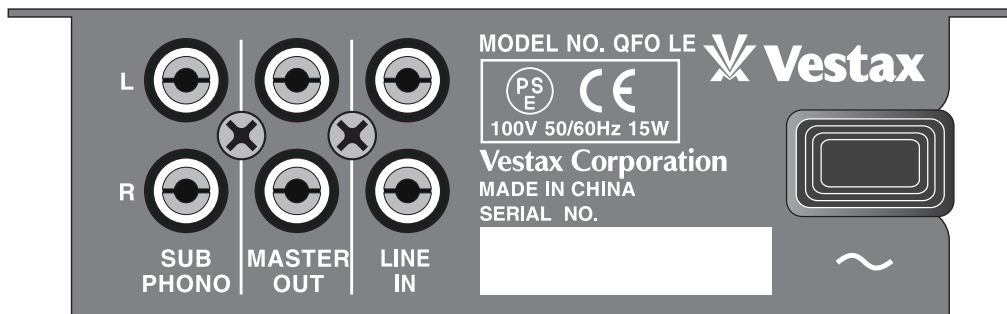
CDPLAYER [ex.VESTAX CDX-16]



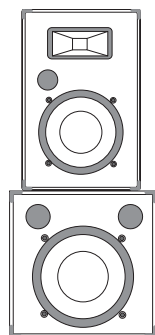
OUT PUT

LINE2

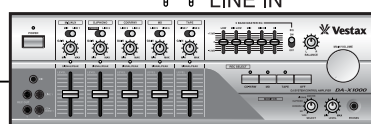
[VESTAX QFO LE リアパネル部]



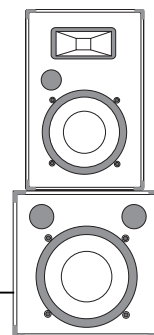
MASTER OUT



MAIN SPEAKER



POWER AMPLIFIER [ex.VESTAX DA-X1000]



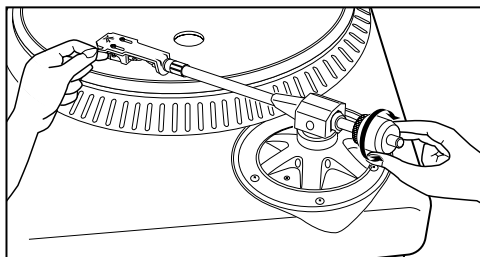
MAIN SPEAKER

LINE IN

ADJUSTMENT

Adjustment of Horizontal Zero Balance

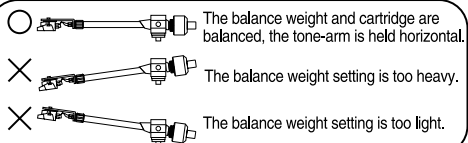
① Install the cartridge, haedshell and balance weight to the tone-arm.



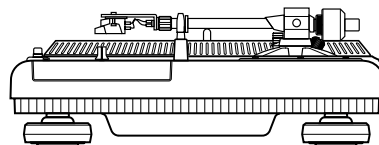
② Unlock the arm rest, adjust the tone-arm balance by rotating the balance weight, so that the tone-arm stays in horizontal position in balance.

NOTE

Please be sure that the needle does not touch the platter or the other object in adjustment procedure.



③ Put the tone-arm on the arm rest and lock it.

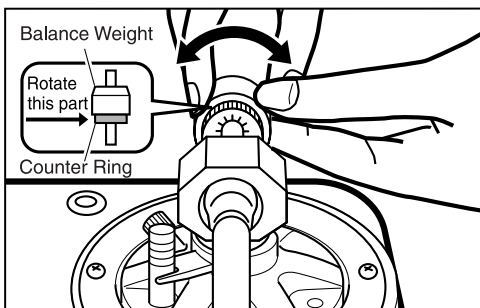


Adjustment of Stylus Puresure

① Hold the balance weight with one hand as shown in the drawing, and rotate only counter ring to bring the numeral "0" of the ring into alignment with the center line on the tone-arm rear shaft.

NOTE

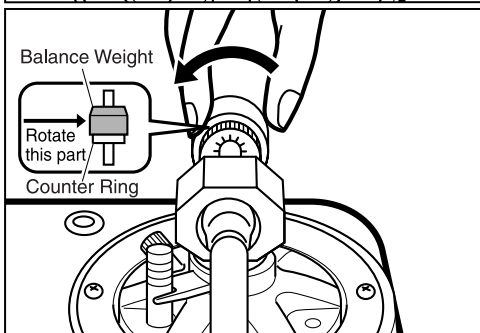
In case the balance weight moved, do the adjustment of horizontal zero balance again.



② Turn the balance weight to present the reading on the gauge to the designed stylus force of your cartridge. As counter ring moves in step with the balance weight, proper stylus pressure can be selected by reading the graduated ring directly.

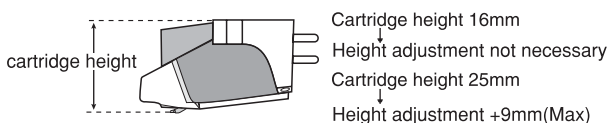
NOTE

The appropriate stylus pressure needs to be set in order to generate the best performance. Please refer to the user's manual of the stylus.



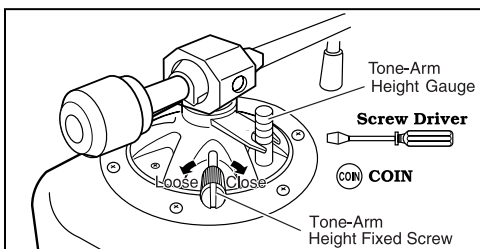
Adjustment of Tone-arm Height

In case of the height of Tone-Arm is needed for adjustment, it is possible to adjust the height by following the scale of Tone-Arm Height Gauge after loosening the Tone-Arm Height Fixed Screw. The adjustment range is 9mm at the maximum.



NOTE

Be sure to tighten the Tone-arm height Fixed screw well. The stylus may jump/skip if the height setting is not secured.

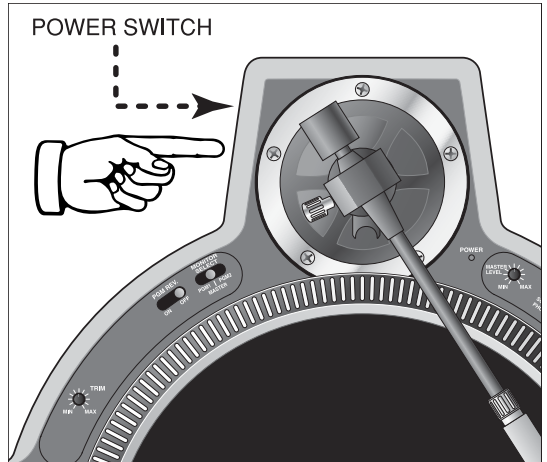


OPERATION OF RECORD

- ① Place a record on the slip mat.
- ② Turn power switch to "ON" position.
- ③ Remove stylus protector if applicable.
- ④ Select appropriate rotation speed. (33/45rpm)
- ⑤ Push Start/Stop Switch to start rotation.
- ⑥ Carefully place tonearm on the record.
- ⑦ Adjust the each level volume.
- ⑧ Replace tonearm to rest position after play has finished.
- ⑨ Press Start/Stop Switch to stop rotation.
- ⑩ Turn power switch to "OFF" position.

NOTE

If the power switch is turned off without pressing the START/STOP Switch, the electric brake will not function.



☒a

PLAYING EP RECORDS

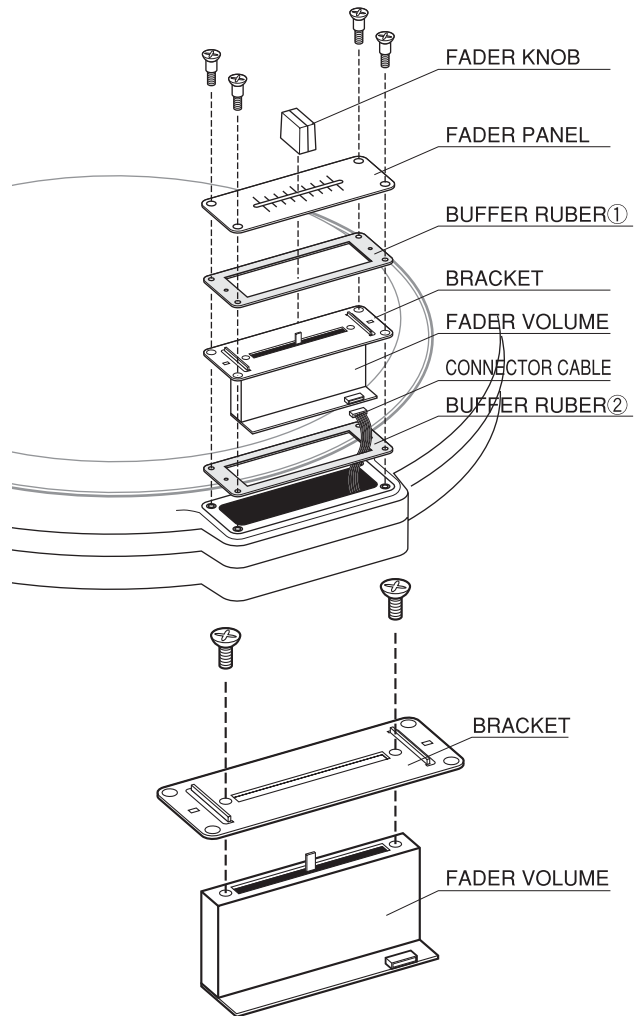
Fit the EP adaptor over the center spindle and follow the same playing instructions as written above.

EXCHANGE THE FADER UNIT

- ① Remove the 4 screws which fix the fader unit, and remove the fader unit from position in this unit.
- ② Raise fader unit and remove both the surface fader panel and the buffer rubber below the panel.
- ③ Carefully remove the multi-cable connector from the fader unit.
- ④ Remove the fader knobs.
- ⑤ Remove the bracket which is screwed to fader volume from the removed fader unit. (see the right picture)
- ⑥ Fix the bracket to the new fader unit in the way of reverse process.
- ⑦ Attach multi-cable connector to new fader unit.
- ⑧ Position the fader unit carefully and secure with screws.

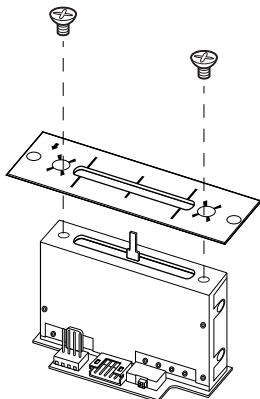
NOTE

The buffer rubber is very important part to avoid the stylus skip. Be careful not to lose it when you change fader unit. When you change to new fader unit, please fix the buffer rubber properly.



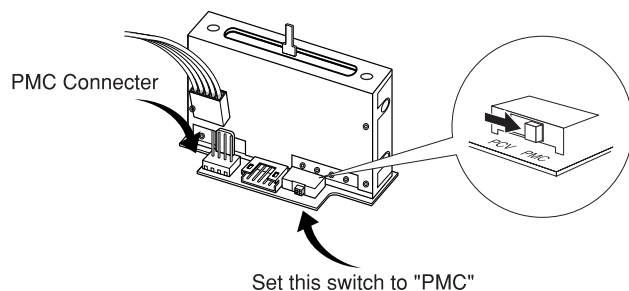
[Instructions for cross fader “CF-CPV” replacement]

- ① Unscrew the two screws on the CF-PCV panel and volume as it is shown below
- ② Set the change switch of the CF-PCV to PMC
- ③ Connect the QFO bracket to the CF-PCV fader volume



NOTE

CF-PCV has to types of connectors but connect it to the PMC connector as shown below



Set this switch to "PMC"

SPECIFICATION

TURNTABLE	MOTOR	DIRECT DRIVE QUARTZ	
	STARTING UP TIME	0.5sec(33 1/3rpm)70°	
	STARTING TORQUE	2.7kg·cm	
	BRAKING SYSTEM	ELECTRONIC BRAKE	
	SPEED	33 1/3rpm,45rpm	
	PITCH	±60%	
	WOW & FLUTTER	0.07% W.R.M.S	
TONEARM	TYPE	ANTI SKIPPING TONE-ARM SYSTEM	
	STYLUS PRESSURE	ADJUSTMENT RANGE 0~4.0g	
MIXER	INPUT	NOMINAL INPUT LEVEL	IMPEDANCE
	LINE	-10dBv	10kΩ
	OUTPUT	NOMINAL OUTPUT LEVEL	IMPEDANCE
	MASTER	-10dBv	220Ω
	PHONES	58mW MAX(@47Ω)	≥8Ω
	FREQUENCY RESPONSE	25Hz~25kHz	
	CROSSTALK	≥100dB	
	THD	<0.01%	
	S/N RATIO	≥75dB	
OTHER	DIMENSIONS (W×H×D)	455×130×524(mm)	
	WEIGHT	7.0kg	

